

Whatever the situation.

F 25 – the sensor family with integrated diversity.



Unique diversity.

What sort of sensor would you prefer?

The F 25 family of sensors impresses not only because of its particularly large selection of product variants, but also because of the numerous clever details that prove themselves in everyday practical use. See for yourself:

Innovative mounting system

Stable dovetail for easy mounting and alignment



Best performance data

- E.g. the FT 25-RLH proximity switch
- Precise detection properties, particularly for small part detection
 - Extremely reliable operation even with reflective background thanks to SensoPart ASIC technology



Clear LED indicators

The sensor's switching state is easily visible from all sides



Simple operation

Teach-in or fixed focus

Bright light spot

Easily visible, even in daylight. With all LED and laser sensors



Operational reliability

Dependable suppression of ambient light, such as sunbeams and halogen lamps, and no mutual interference



Large variety of connections

- M8 plastic connector
- M8 metal connector
- 2 m cable
- 150 mm pigtail, M 12



Compact and elegant:

Compact miniature design with glass-fibre reinforced plastic housing in the elegant light-grey SensoPart design. (Illustrations in original size)

SensoPart provides you with choice: our F 25 family of sensors offers the largest range of variants in its class – from the LED through-beam photoelectric switch to the laser photoelectric reflex switch with adjustable background suppression. The programme includes every conceivable design.

Fundamentally, each F 25 sensor is available in a laser and an LED design, the latter offering further variants with fixed settings. Differing types of connections and switching variants, as well as special designs such as IO Link and Auto-detect, expand the choice

to about 100 different sensors – where else can this be found? All these variants share a uniform compact housing and a consistent mounting and operating concept.

The excellent properties of the F 25 sensors – from their optical performance data, through their robust design and reliable function, to the numerous user-friendly details – are particularly wide-ranging. So much all at once is really unique!

F 25 product overview			
		Scanning distance/range	Page
Photoelectric proximity switches with background suppression			
Laser / Teach-in	FT 25-RLH	120 mm	8 – 9
LED / Teach-in	FT 25-RH	200 mm	10 – 11
LED / Teach-in	FT 25-RHD	400 mm	12 – 13
LED / Fixed focus	FT 25-RF	60 mm / 80 mm	14 – 15
Energetic photoelectric proximity switches			
Laser / Teach-in	FT 25-RL	250 mm	16 – 17
LED / Teach-in	FT 25-R	800 mm	18 – 19
Photoelectric reflex switches			
Laser / Teach-in	FR 25-RL	15 m	20 – 21
LED / Teach-in	FR 25-R	7 m	22 – 23
LED / Fixed setting	FR 25-RF	5 m	24 – 25
Through-beam photoelectric switches			
Laser / Teach-in	FS/FE 25-RL	20 m	26 – 27
LED / Teach-in	FS/FE 25-R	15 m	28 – 29
LED / Fixed setting	FS/FE 25-RF	6 m	30 – 31

Extremely reliable.

The sensors of the F 25 series are stronger than they look.



All-round robustness

The glass-fibre reinforced plastic housings of the F 25 sensors are extremely resistant thanks to special injection moulding processes in SensoPart production. The plug-in connections, optionally in plastic or metal designs, are also very stable and tough.

During the development of the F 25 range of sensors we placed particular value on a high level of reliability and robustness. For all components – from the housing made of glass-fibre reinforced plastic, through the plug or cable connection, to the mounting accessories – consistent care was taken to ensure that they are mechanically highly resilient and correspondingly long-lived. Which is why our sensors not only look very good, but also offer excellent operation.

Thanks to its highly watertight design (IP 67 and IP 69K) the smooth, light grey housing easily withstands daily high-pressure cleaning, and is also resistant to aggressive cleaning media – in accordance with ECOLAB requirements. Incidentally, the laser-etched type designations are also immune to such treatment and remain as readable after years of maximum stress as on the first day.

AUTO-DETECT – EXCLUSIVE TO SENSOPART

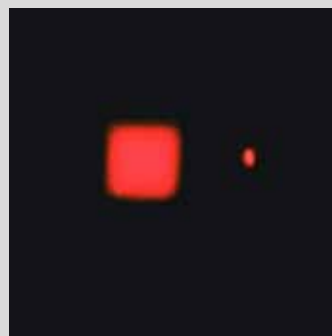
The Auto-detect variants of the F 25 series combine a real PNP and a real NPN switching function (no push-pull output) in a single device: the sensor recognises from the load present whether switching is necessary as a NPN or PNP output. Adaptation of the switching function and the switching state indicator takes place automatically.

This function reduces warehousing costs and is unique amongst miniature optoelectronic sensors!



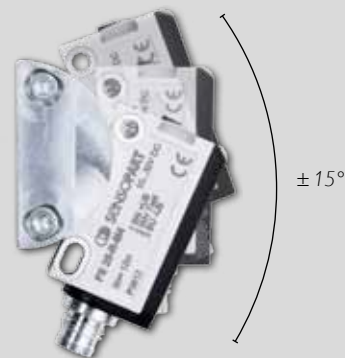
Identity loss ruled out:

All F 25 sensors are characterised by friction-proof and cleaning-resistant laser printing. This ensures that every sensor can be easily identified even after years of use.



Bright, reliable and precise:

The sensors in the F 25 series are optionally available with red light LED or red light laser diode. Both light sources generate a bright light spot, easily visible even in daylight. The highly precise laser beam poses absolutely no risk thanks to its being Laser Class 1.



Easy mounting, precise adjustment:

The robust aluminium dovetail proves particularly helpful for installation situations offering little space. It allows simple and precise fine alignment of the sensor even after mounting.

Astonishingly versatile.

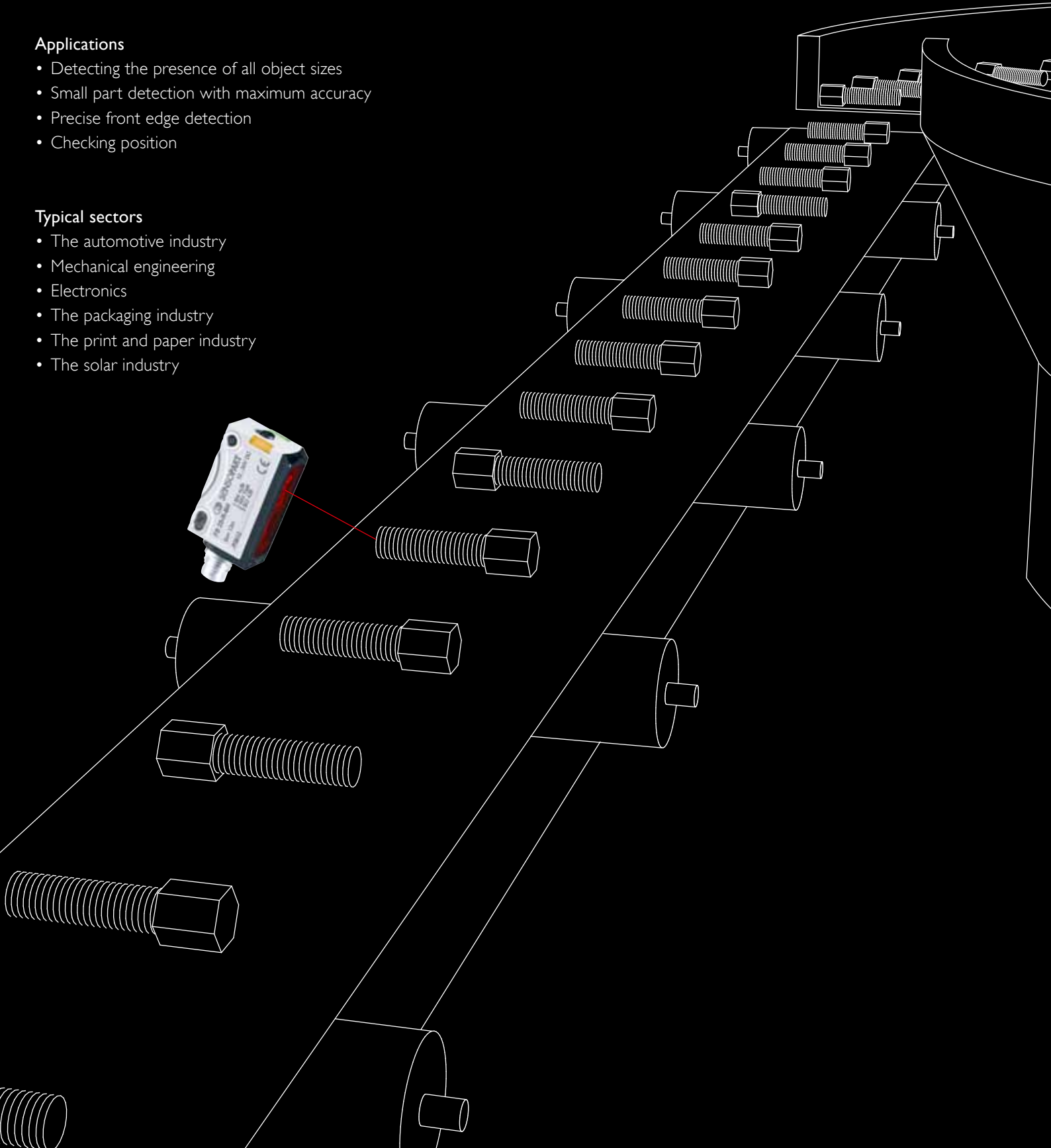
The sensors of the F 25 series do well everywhere.
In your application too.

Applications

- Detecting the presence of all object sizes
- Small part detection with maximum accuracy
- Precise front edge detection
- Checking position

Typical sectors

- The automotive industry
- Mechanical engineering
- Electronics
- The packaging industry
- The print and paper industry
- The solar industry





Thanks to the diversity of variants, the F 25 range has proven itself in numerous industrial automation processes, from small part detection in automatic assembly to the checking of completeness on running conveyor systems. Excellent performance data, such as high scanning distances and ranges, a clearly contoured light spot also easily visible in daylight, minimal black-white shift, and extremely precise background suppression also permit these versatile sensors to be used in particularly demanding applications.



Users are also very pleased with the mounting and operation of F 25 sensors. Clever mounting accessories (such as dovetail fixing), user-friendly teach-in operation, the use of risk-free Class 1 laser light, and the status LEDs easily visible from all sides ensure uncomplicated and efficient operating processes. In your application soon too?

One sensor for every application case:

Whether in handling or in assembly, whether small or large objects made of paper or metal – the versatile F 25 series offers a suitable sensor variant for every conceivable application – ably mastering your automation problem.

FT 25-RLH

Laser photoelectric proximity switch with background suppression



PRODUCT HIGHLIGHTS

- Precise background suppression
- Reliable operation even with highly reflective backgrounds, thanks to SensoPart ASIC technology
- Particularly suitable for detecting the smallest of objects
- Very small, easily visible, laser light spot
- Durable laser printing

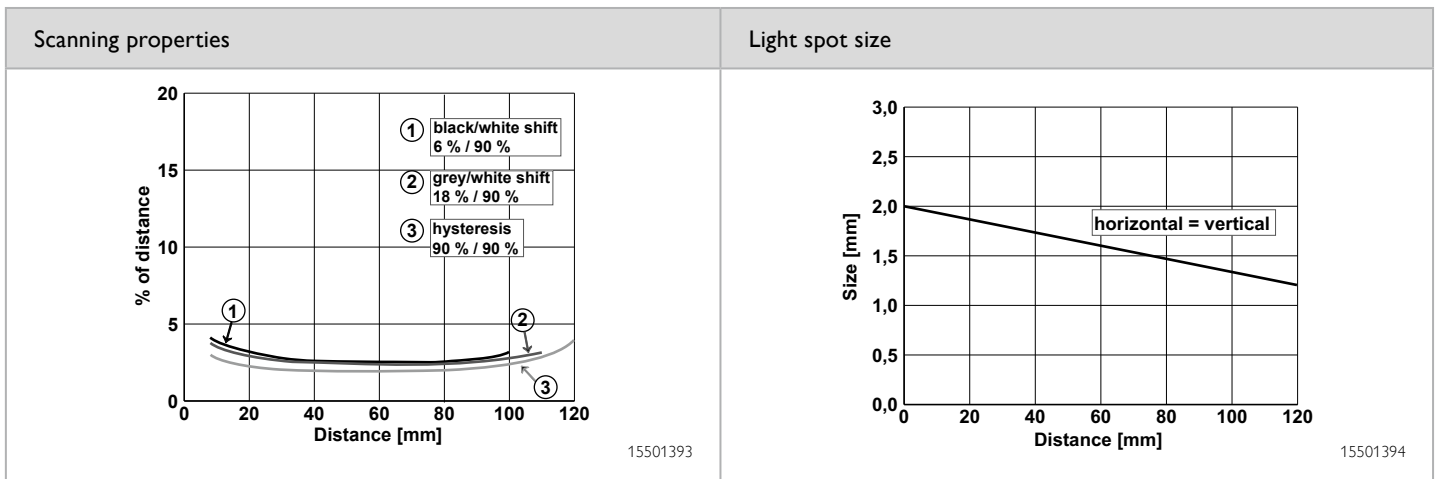
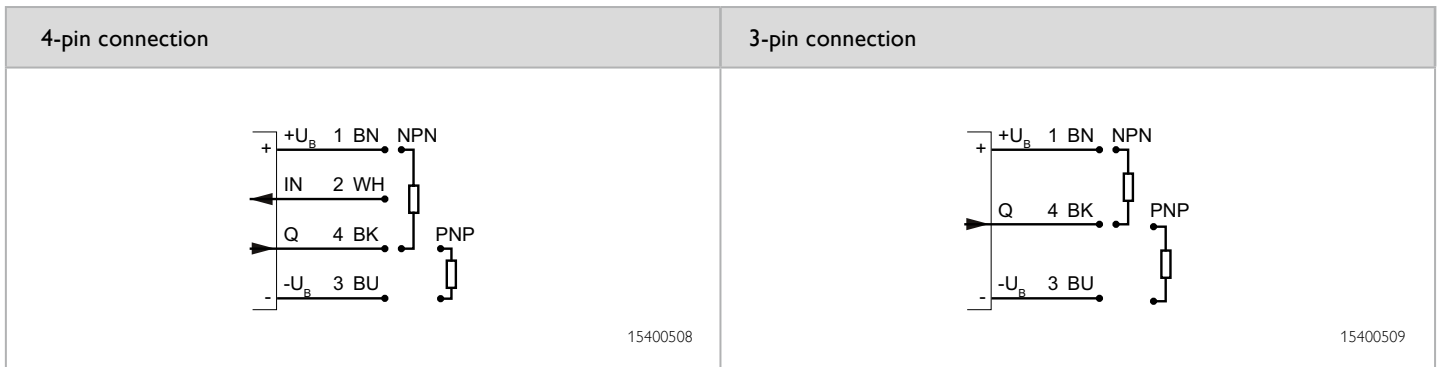
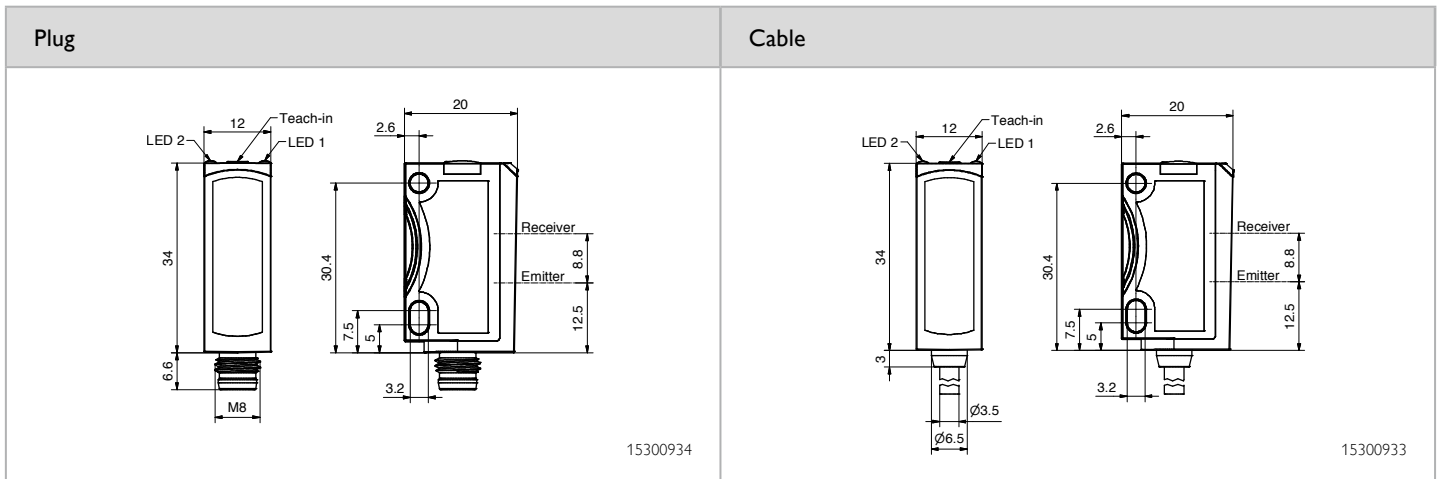
Optical data		Functions	
Scanning distance	4 ... 120 mm ¹	Indicator LED, green	Operating voltage indicator
Adjustment range	10 ... 120 mm ¹	Indicator LED, yellow	Switching output indicator
Type of light	Laser, red, 650 nm	Scanning distance adjustment	Via Teach-in button and control input
Laser Class (DIN EN 60825-1:2008-5)	1	Teach-in modes	Mode 1: during running process Mode 2: during stationary process
		Adjustment possibilities	N.O./N.C. via Teach-in button and control input Button lock via control input
		Default settings	Max. scanning distance and N.O.
Electrical data		Mechanical data	
Operating voltage +U _B	10 ... 30V DC ²	Dimensions	34 x 20 x 12 mm
No-load current I ₀	≤ 30 mA	Enclosure rating	IP 67 & IP 69K ³
Output current I _e	≤ 100 mA	Material, housing	ABS
Protective circuits	Reverse-polarity protection U _B / short-circuit protection (Q)	Material, front screen	PMMA
Protection Class	2	Type of connection	(see selection table)
Time to readiness	< 300 ms	Ambient temperature: operation	-20 ... +60 °C
Switching output Q	PNP / NPN (see selection table)	Ambient temperature: storage	-20 ... +80 °C
Output function	N.O. / N.C.	Weight (plug)	10 g
Switching frequency f (ti/tp 1:1)	≤ 1000 Hz	Weight (cable)	40 g
Response time	500 μs	Weight (pigtail)	20 g
Control input IN	+U _B = Teach-in / -U _B = Button locked Open = normal operation	Resistance to vibrations and impacts	EN 60947-5-2

¹ Reference material white, 90% reflectivity

² Max. 10% ripple, within U_B, ~ 50 Hz / 100 Hz

³ With connected IP 67 / IP 69K plug

Scanning distance	Switching output	Type of connection	Order designation	Part no.
4 ... 120 mm	PNP	Plug, M8x1, 4-pin	FT 25-RLH-PS-M4	609-11005
4 ... 120 mm	NPN	Plug, M8x1, 4-pin	FT 25-RLH-NS-M4	609-11002
4 ... 120 mm	PNP	Metal plug, M8x1, 3-pin	FT 25-RLH-PS-M3M	609-11007
4 ... 120 mm	NPN	Metal plug, M8x1, 3-pin	FT 25-RLH-NS-M3M	609-11008
4 ... 120 mm	PNP	Metal plug, M8x1, 4-pin	FT 25-RLH-PS-M4M	609-11009
4 ... 120 mm	NPN	Metal plug, M8x1, 4-pin	FT 25-RLH-NS-M4M	609-11010
4 ... 120 mm	PNP	Cable, 2 m, 4-wire	FT 25-RLH-PS-K4	609-11004
4 ... 120 mm	NPN	Cable, 2 m, 4-wire	FT 25-RLH-NS-K4	609-11001
4 ... 120 mm	PNP	Pigtail, 150 mm with plug M12x1, 4-pin	FT 25-RLH-PS-KL4	609-11006
4 ... 120 mm	NPN	Pigtail, 150 mm with plug M12x1, 4-pin	FT 25-RLH-NS-KL4	609-11003



Reference material	Detection range
white (90 %)	4 ... 120 mm
grey (18 %)	5 ... 110 mm
black (6 %)	8 ... 100 mm

FT 25-RH

Photoelectric proximity switch with background suppression



PRODUCT HIGHLIGHTS

- Precise background suppression
- Reliable switching with differing object colours and surfaces
- Reliable operation even with highly reflective backgrounds, thanks to SensoPart ASIC technology
- Simple alignment thanks to easily visible light spot
- Robust, glass-fibre reinforced plastic housings
- Durable laser printing

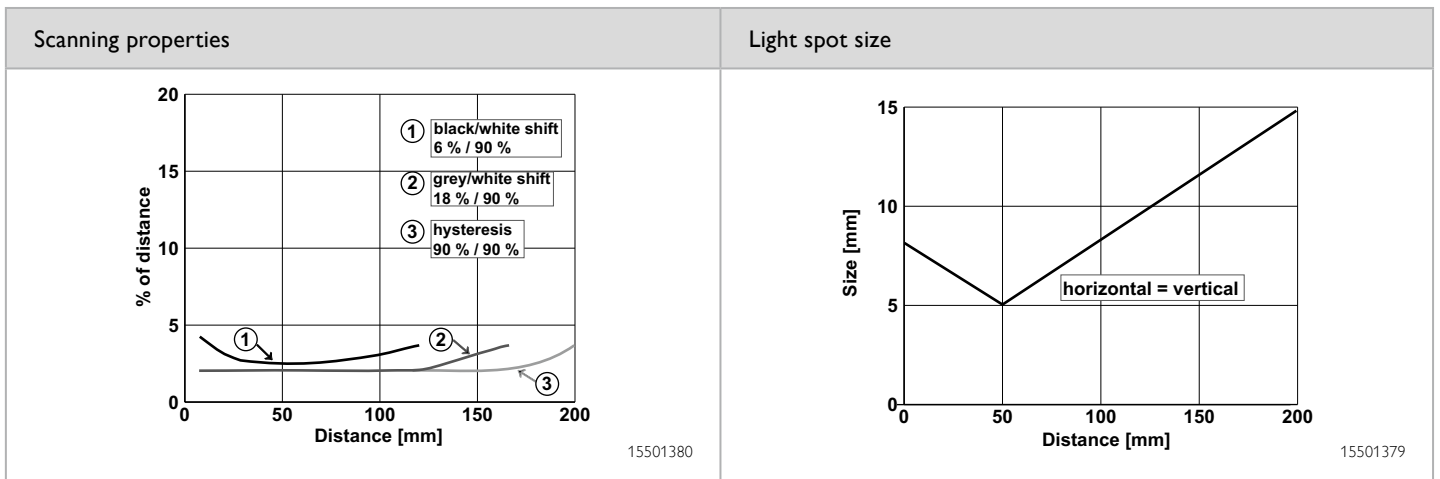
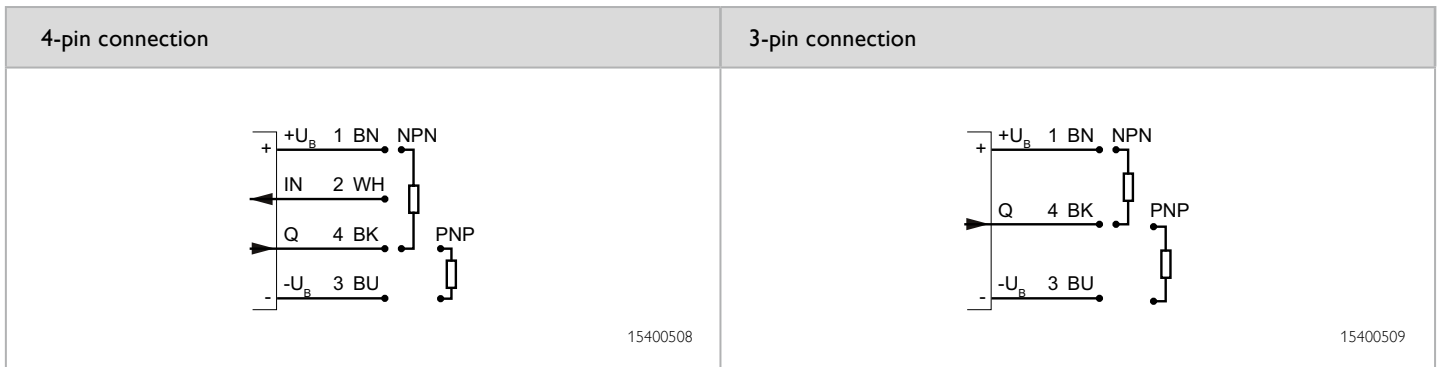
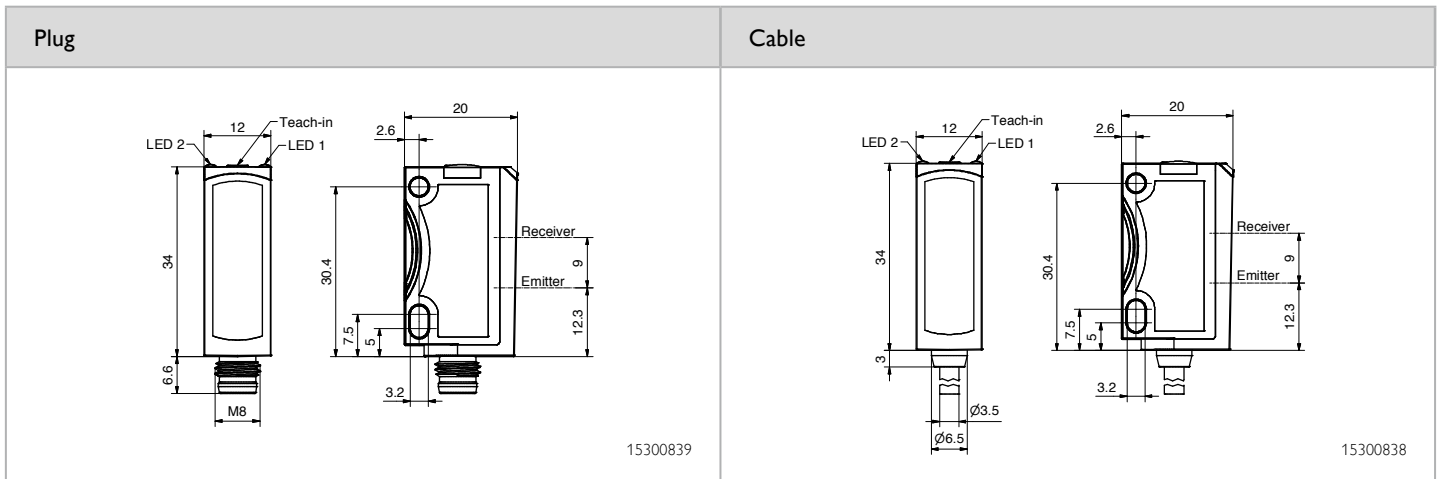
Optical data		Functions	
Scanning distance	1 ... 200 mm ¹	Indicator LED, green	Operating voltage indicator
Adjustment range	10 ... 200 mm ¹	Indicator LED, yellow	Switching output indicator
Type of light	LED, red, 632 nm	Scanning distance adjustment	Via Teach-in button and control input
		Teach-in modes	Mode 1: during running process Mode 2: during stationary process
		Adjustment possibilities	N.O./N.C. via Teach-in button and control input Button lock via control input
		Default settings	Max. scanning distance and N.O.
Electrical data		Mechanical data	
Operating voltage +U _B	10 ... 30 V DC ²	Dimensions	34 × 20 × 12 mm
No-load current I ₀	≤ 30 mA	Enclosure rating	IP 67 & IP 69K ³
Output current I _e	≤ 100 mA	Material, housing	ABS
Protective circuits	Reverse-polarity protection U _B / short-circuit protection (Q)	Material, front screen	PMMA
Protection Class	2	Type of connection	(see selection table)
Time to readiness	< 300 ms	Ambient temperature: operation	-20 ... +60 °C
Switching output Q	PNP / NPN (see selection table)	Ambient temperature: storage	-20 ... +80 °C
Output function	N.O. / N.C.	Weight (plug)	10 g
Switching frequency f (ti/tp 1:1)	≤ 1000 Hz	Weight (cable)	40 g
Response time	500 μs	Weight (pigtail)	20 g
Control input IN	+U _B = Teach-in / -U _B = Button locked Open = normal operation	Resistance to vibrations and impacts	EN 60947-5-2

¹ Reference material white, 90% reflectivity

² Max. 10% ripple, within U_B, ~ 50 Hz / 100 Hz

³ With connected IP 67 / IP 69K plug

Scanning distance	Switching output	Type of connection	Order designation	Part no.
1 ... 200 mm	PNP	Plug, M8x1, 4-pin	FT 25-RH-PS-M4	608-11004
1 ... 200 mm	NPN	Plug, M8x1, 4-pin	FT 25-RH-NS-M4	608-11006
1 ... 200 mm	PNP	Metal plug, M8x1, 3-pin	FT 25-RH-PS-M3M	608-11012
1 ... 200 mm	NPN	Metal plug, M8x1, 3-pin	FT 25-RH-NS-M3M	608-11013
1 ... 200 mm	PNP	Metal plug, M8x1, 4-pin	FT 25-RH-PS-M4M	608-11014
1 ... 200 mm	NPN	Metal plug, M8x1, 4-pin	FT 25-RH-NS-M4M	608-11015
1 ... 200 mm	PNP	Cable, 2 m, 4-wire	FT 25-RH-PS-K4	608-11005
1 ... 200 mm	NPN	Cable, 2 m, 4-wire	FT 25-RH-NS-K4	608-11007
1 ... 200 mm	PNP	Pigtail, 150 mm with plug M12x1, 4-pin	FT 25-RH-PS-KL4	608-11008
1 ... 200 mm	NPN	Pigtail, 150 mm with plug M12x1, 4-pin	FT 25-RH-NS-KL4	608-11009



Reference material	Detection range
white (90 %)	1 ... 200 mm
grey (18 %)	2 ... 160 mm
black (6 %)	4 ... 120 mm

FT 25-RHD

Photoelectric proximity switch with background suppression



PRODUCT HIGHLIGHTS

- Auto-detect photoelectric proximity switch with real PNP and real NPN function
- Precise background suppression
- High scanning range of 400 mm with small and compact housing
- Reliable operation even with highly reflective backgrounds, thanks to SensoPart ASIC technology
- Simple alignment thanks to easily visible light spot
- Robust, glass-fibre reinforced plastic housings

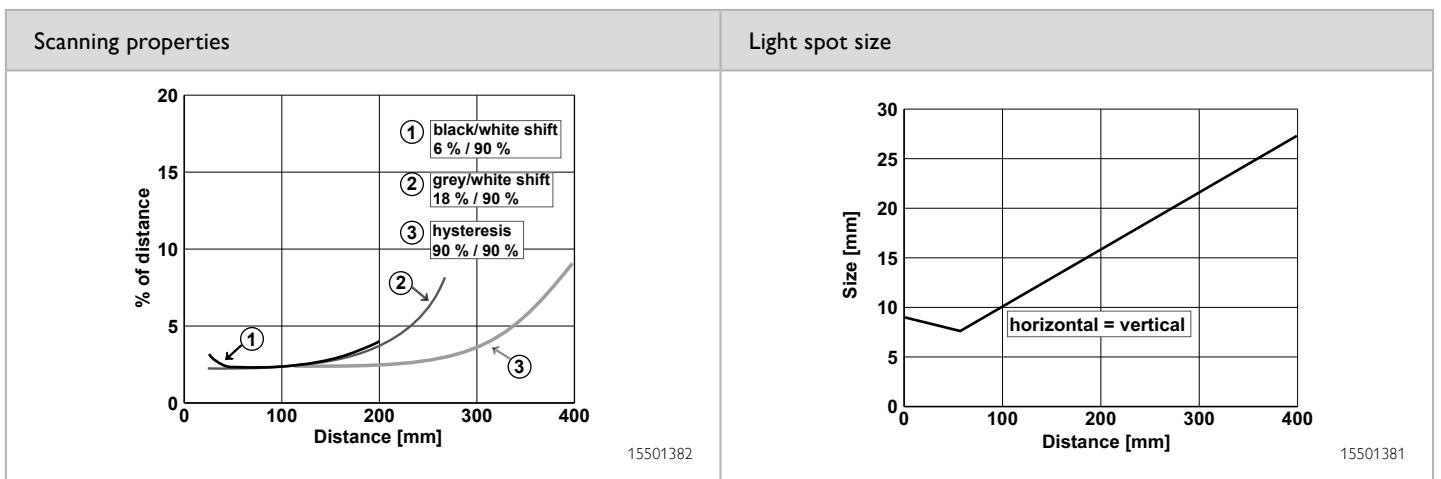
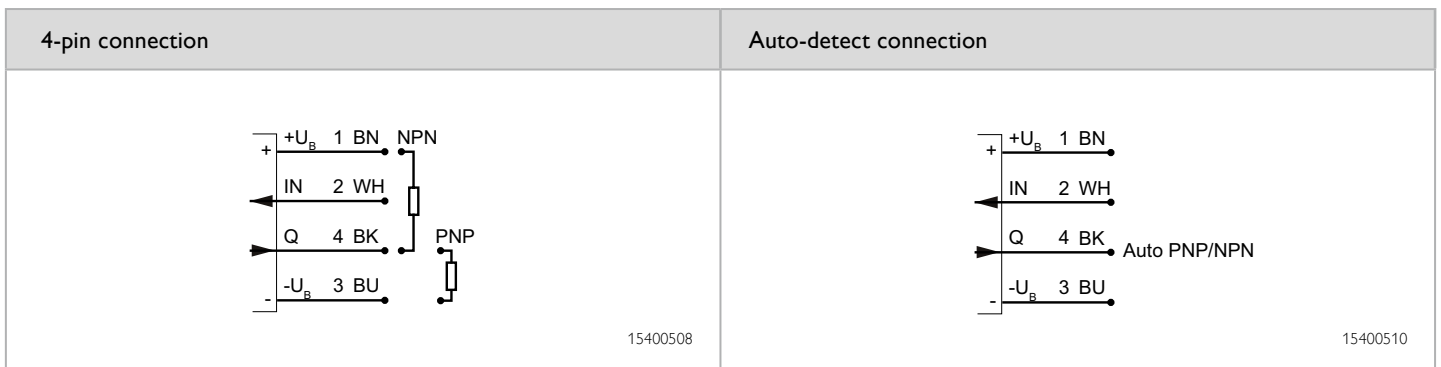
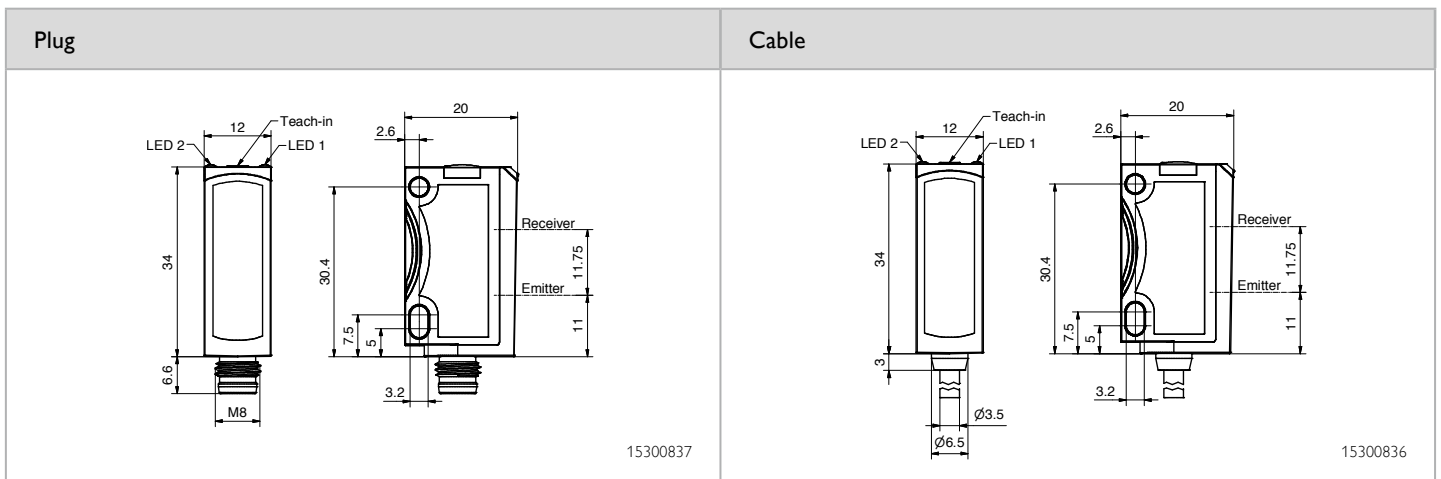
Optical data		Functions	
Scanning distance	3 ... 400 mm ¹	Indicator LED, green	Operating voltage indicator
Adjustment range	30 ... 400 mm ¹	Indicator LED, yellow	Switching output indicator
Type of light	LED, red, 632 nm	Scanning distance adjustment	Via Teach-in button and control input
		Teach-in modes	Mode 1: during running process Mode 2: during stationary process
		Adjustment possibilities	N.O./N.C. via Teach-in button and control input Button lock via control input Auto-detect / NPN / PNP via Teach-in button and control input (only Auto-detect variants)
		Default settings	Max. scanning distance and N.O.
Electrical data		Mechanical data	
Operating voltage +U _B	10 ... 30V DC ²	Dimensions	34 x 20 x 12 mm
No-load current I ₀	≤ 30 mA	Enclosure rating	IP 67 & IP 69K ³
Output current I _e	≤ 100 mA	Material, housing	ABS
Protective circuits	Reverse-polarity protection U _B / short-circuit protection (Q)	Material, front screen	PMMA
Protection Class	2	Type of connection	(see selection table)
Time to readiness	< 300 ms	Ambient temperature: operation	-20 ... +60 °C
Switching output Q	PNP / NPN / Auto-detect (see selection table)	Ambient temperature: storage	-20 ... +80 °C
Output function	N.O. / N.C.	Weight (plug)	10 g
Switching frequency f (ti/tp 1:1)	≤ 1000 Hz	Weight (cable)	40 g
Response time	500 μs	Weight (pigtail)	20 g
Control input IN	+U _B = Teach-in / -U _B = Button locked Open = normal operation	Resistance to vibrations and impacts	EN 60947-5-2

¹ Reference material white, 90% reflectivity

² Max. 10% ripple, within U_B, ~ 50 Hz / 100 Hz

³ With connected IP 67 / IP 69K plug

Scanning distance	Switching output	Type of connection	Order designation	Part no.
3 ... 400 mm	PNP	Plug, M8x1, 4-pin	FT 25-RHD-PS-M4	608-11000
3 ... 400 mm	NPN	Plug, M8x1, 4-pin	FT 25-RHD-NS-M4	608-11002
3 ... 400 mm	PNP	Metal plug, M8x1, 4-pin	FT 25-RHD-PS-M4M	608-11016
3 ... 400 mm	NPN	Metal plug, M8x1, 4-pin	FT 25-RHD-NS-M4M	608-11017
3 ... 400 mm	PNP	Cable, 2 m, 4-wire	FT 25-RHD-PS-K4	608-11001
3 ... 400 mm	NPN	Cable, 2 m, 4-wire	FT 25-RHD-NS-K4	608-11003
3 ... 400 mm	PNP	Pigtail, 150 mm with plug M12x1, 4-pin	FT 25-RHD-PS-KL4	608-11010
3 ... 400 mm	NPN	Pigtail, 150 mm with plug M12x1, 4-pin	FT 25-RHD-NS-KL4	608-11011
3 ... 400 mm	Auto-detect	Metal plug, M8x1, 4-pin	FT 25-RHD-PNS-M4M	608-11019



Reference material	Detection range
white (90 %)	3 ... 400 mm
grey (18 %)	6 ... 260 mm
black (6 %)	12 ... 200 mm

FT 25-RF

Photoelectric proximity switch with background suppression, fixed focus



PRODUCT HIGHLIGHTS

- Economical solution for numerous applications
- Tamperproof sensor design – no spurious adjustment possible
- Simple alignment thanks to easily visible light spot
- Robust, glass-fibre reinforced plastic housings
- Durable laser printing

Optical data		Functions	
Scanning distance	1 ... 60 mm ¹ / 1 ... 80 mm ¹	Indicator LED, green	Operating voltage indicator
Type of light	LED, red, 632 nm	Indicator LED, yellow	Switching output indicator
Hysteresis	~ 5 % ²	Adjustment possibilities	N.O. / N.C. via control input
		Default settings	N.O.
Electrical data		Mechanical data	
Operating voltage +U _B	10 ... 30V DC ³	Dimensions	34 x 20 x 12 mm
No-load current I ₀	≤ 30 mA	Enclosure rating	IP 67 & IP 69K ⁴
Output current I _e	≤ 100 mA	Material, housing	ABS
Protective circuits	Reverse-polarity protection U _B / short-circuit protection (Q)	Material, front screen	PMMA
Protection Class	2	Type of connection	(see selection table)
Time to readiness	< 300 ms	Ambient temperature: operation	-20 ... +60 °C
Switching output Q	PNP / NPN (see selection table)	Ambient temperature: storage	-20 ... +80 °C
Output function	N.O. / N.C.	Weight (plug)	10 g
Switching frequency f (ti/tp 1:1)	≤ 1000 Hz	Weight (cable)	40 g
Response time	500 μs	Weight (pigtail)	20 g
Control input IN	+U _B = N.C. -U _B / open = N.O.	Resistance to vibrations and impacts	EN 60947-5-2

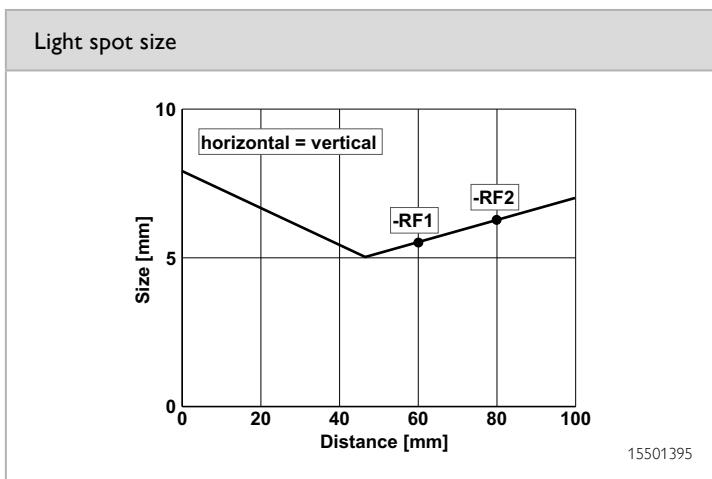
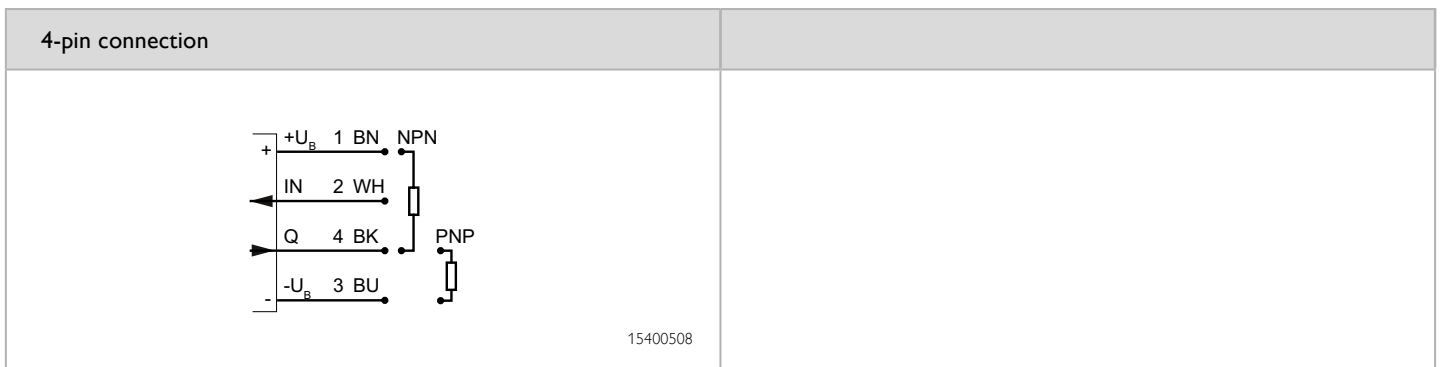
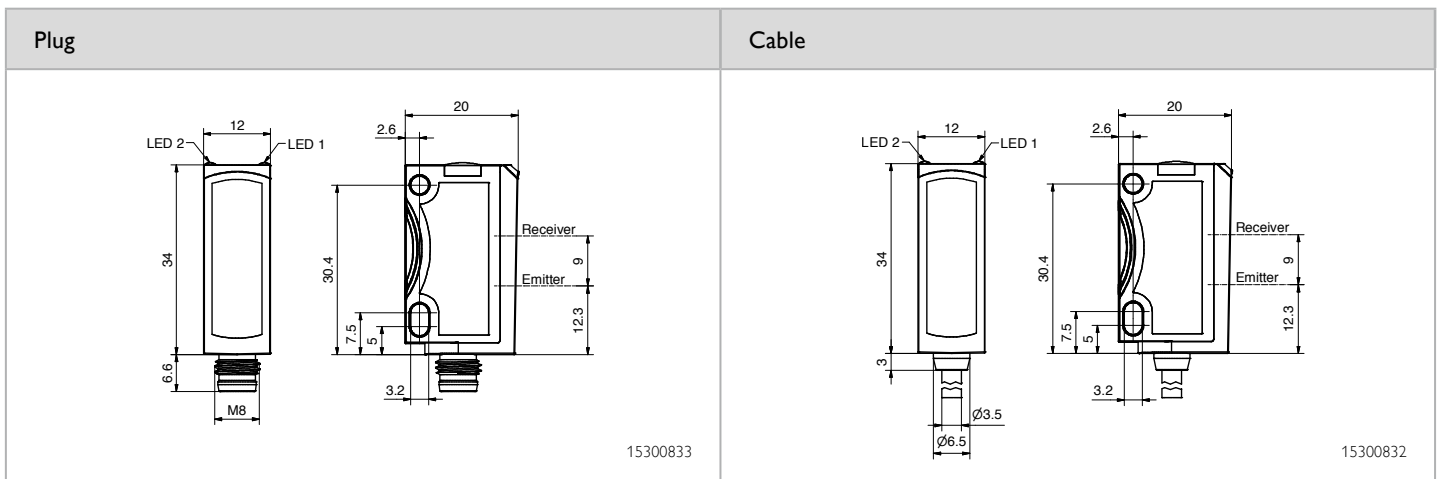
¹ Reference material white, 90% reflectivity

² Relating to scanning distance

³ Max. 10% ripple, within U_B ~ 50 Hz / 100 Hz

⁴ With connected IP 67 / IP 69K plug

Scanning distance	Switching output	Type of connection	Order designation	Part no.
1 ... 60 mm	PNP	Plug, M8x1, 4-pin	FT 25-RF1-PS-M4	608-11020
1 ... 60 mm	PNP	Cable, 2 m, 4-wire	FT 25-RF1-PS-K4	608-11021
1 ... 80 mm	PNP	Plug, M8x1, 4-pin	FT 25-RF2-PS-M4	608-11022
1 ... 80 mm	PNP	Cable, 2 m, 4-wire	FT 25-RF2-PS-K4	608-11023
1 ... 80 mm	NPN	Cable, 2 m, 4-wire	FT 25-RF2-NS-K4	608-11024



Reference material	Detection range
white (90 %)	1 ... 60 mm / 80 mm
grey (18 %)	2 ... 60 mm / 80 mm
black (6 %)	4 ... 60 mm / 80 mm

FT 25-RL

Energetic laser photoelectric proximity switch



PRODUCT HIGHLIGHTS

- Differentiation between even the smallest of grey value differences
- Sensitivity adjustment via Teach-in and control input
- Very small, easily visible laser light spot
- Durable laser printing
- Large number of variants

Optical data		Functions	
Scanning distance	1 ... 250 mm ¹	Indicator LED, green	Operating voltage indicator
Adjustment range	25 ... 250 mm ¹	Indicator LED, yellow	Switching output indicator
Type of light	Laser, red, 650 nm	Sensitivity adjustment	Via Teach-in button and control input
Laser Class (DIN EN 60825-1:2008-5)	1	Teach-in modes	Mode 1: during running process Mode 2: during stationary process
Hysteresis	≤ 10 % ²	Adjustment possibilities	N.O./N.C. via Teach-in button and control input Button lock via control input Max. scanning distance and N.O.
		Default settings	
Electrical data		Mechanical data	
Operating voltage +U _b	10 ... 30V DC ³	Dimensions	34 × 20 × 12 mm
No-load current I _o	≤ 30 mA	Enclosure rating	IP 67 & IP 69K ⁴
Output current I _e	≤ 100 mA	Material, housing	ABS
Protective circuits	Reverse-polarity protection U _b / short-circuit protection (Q)	Material, front screen	PMMA
Protection Class	2	Type of connection	(see selection table)
Time to readiness	< 300 ms	Ambient temperature: operation	-20 ... +60 °C
Switching output Q	PNP / NPN (see selection table)	Ambient temperature: storage	-20 ... +80 °C
Output function	N.O. / N.C.	Weight (plug)	10 g
Switching frequency f (ti/tp 1:1)	≤ 1500 Hz	Weight (cable)	40 g
Response time	333 μs	Weight (pigtail)	20 g
Control input IN	+U _b = Teach-in / -U _b = Button locked Open = normal operation	Resistance to vibrations and impacts	EN 60947-5-2

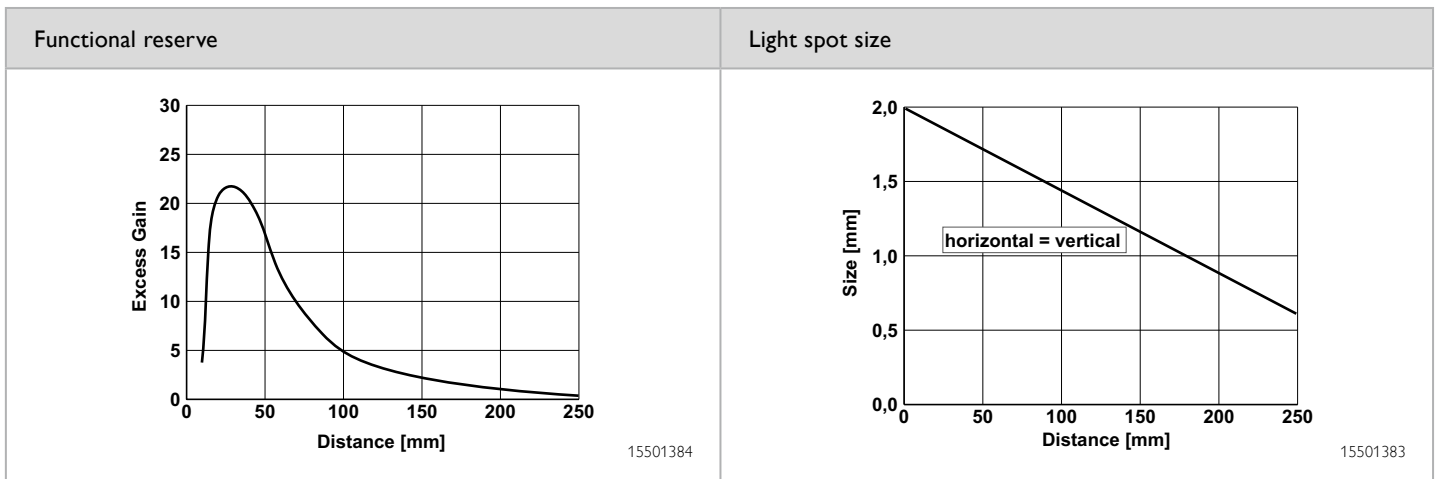
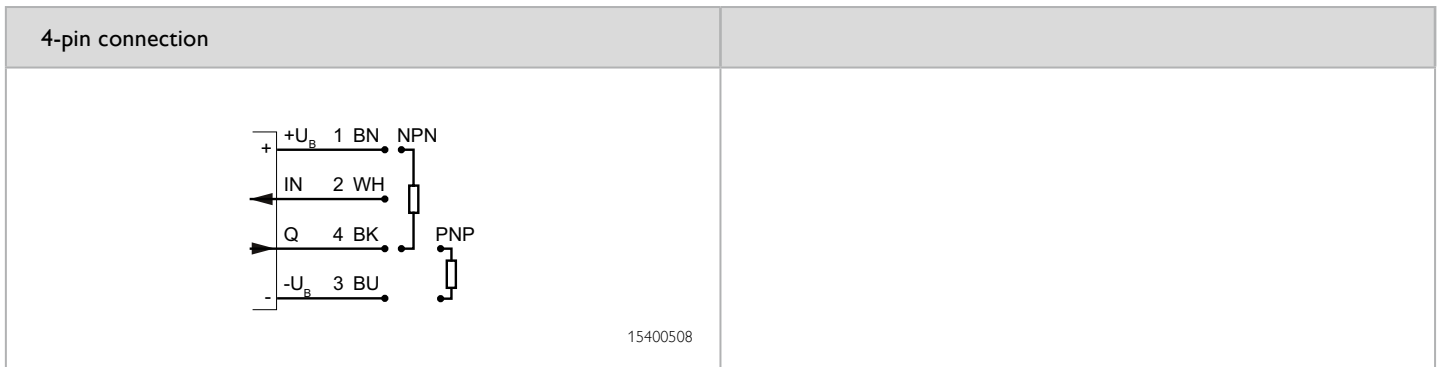
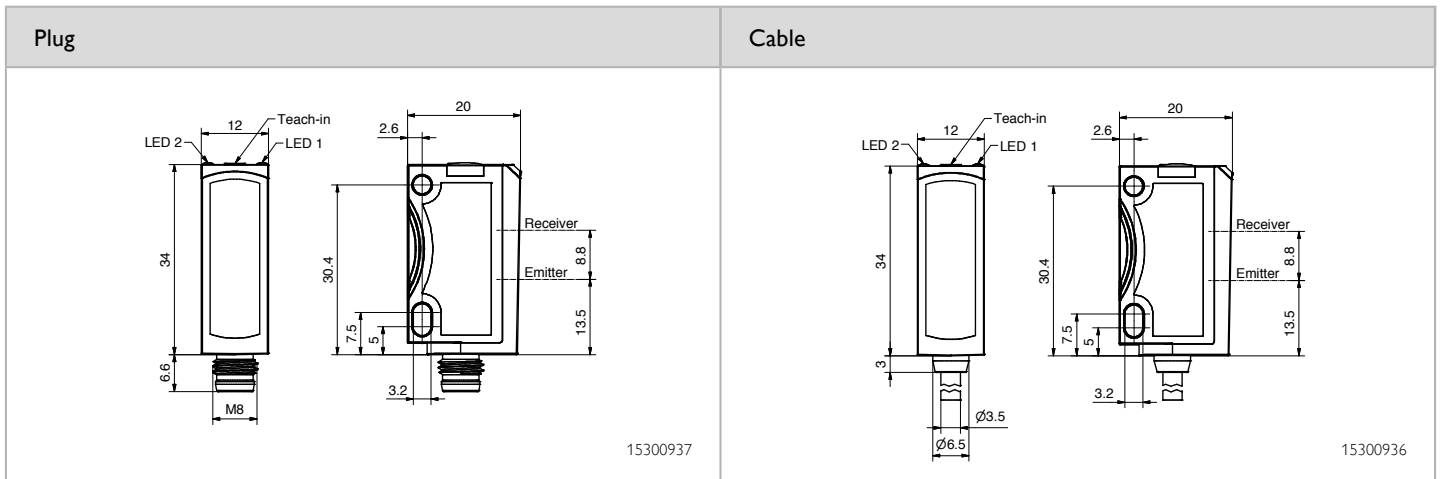
¹ Reference material white, 90% reflectivity

² Up to scanning distance of 150 mm

³ Max. 10% ripple, within U_b, ~ 50 Hz / 100 Hz

⁴ With connected IP 67 / IP 69K plug

Scanning distance	Switching output	Type of connection	Order designation	Part no.
1 ... 250 mm	PNP	Metal plug, M8x1, 4-pin	FT 25-RL-PS-M4M	609-21013
1 ... 250 mm	NPN	Metal plug, M8x1, 4-pin	FT 25-RL-NS-M4M	609-21014
1 ... 250 mm	PNP	Cable, 2 m, 4-wire	FT 25-RL-PS-K4	609-21010
1 ... 250 mm	NPN	Cable, 2 m, 4-wire	FT 25-RL-NS-K4	609-21008
1 ... 250 mm	PNP	Pigtail, 150 mm with plug M12x1, 4-pin	FT 25-RL-PS-KL4	609-21012
1 ... 250 mm	NPN	Pigtail, 150 mm with plug M12x1, 4-pin	FT 25-RL-NS-KL4	609-21009



Reference material	Detection range
white (90 %)	1 ... 250 mm
grey (18 %)	6 ... 100 mm
black (6 %)	20 ... 60 mm

FT 25-R

Energetic photoelectric proximity switch



PRODUCT HIGHLIGHTS

- Differentiation between even the smallest of grey value differences
- Sensitivity adjustment via Teach-in and control input
- Simple alignment thanks to easily visible light spot
- Robust, glass-fibre reinforced plastic housings
- Durable laser printing

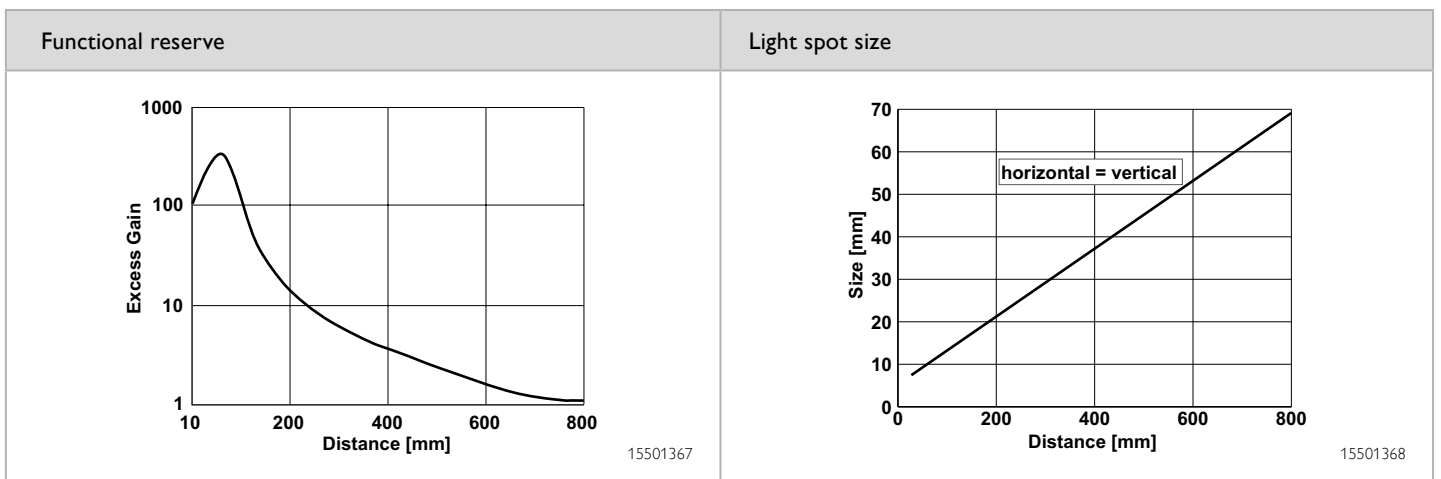
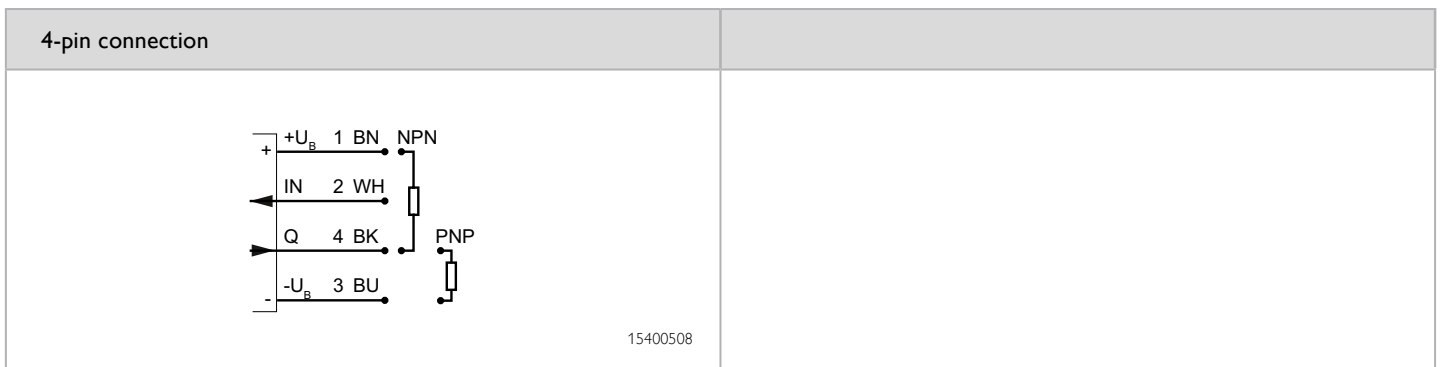
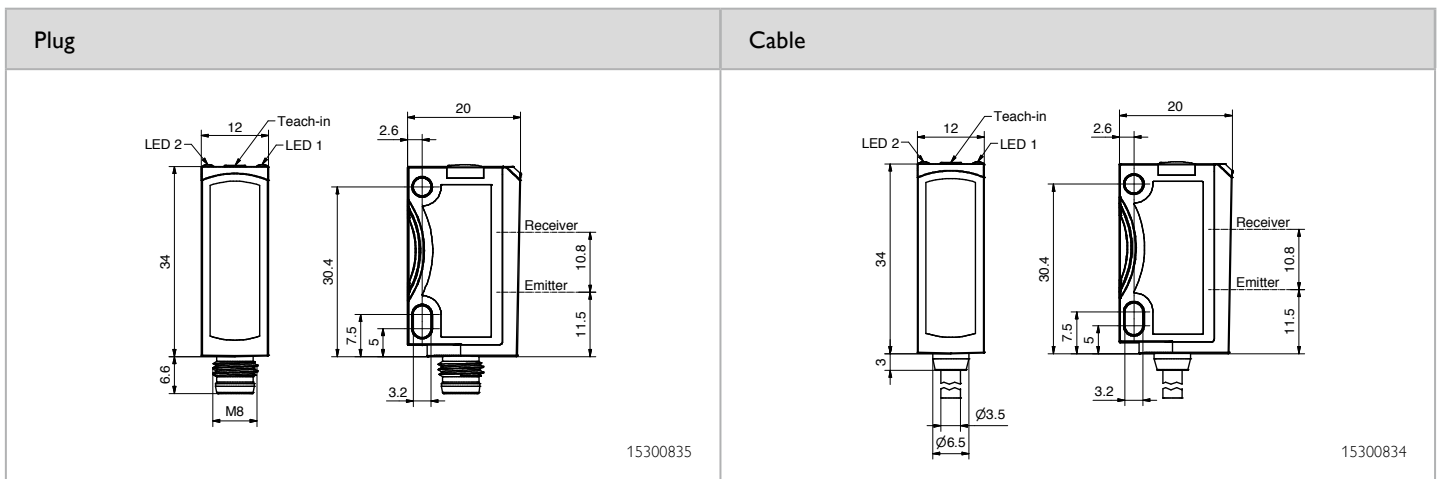
Optical data		Functions	
Scanning distance	0 ... 800 mm ¹	Indicator LED, green	Operating voltage indicator
Adjustment range	20 ... 800 mm ¹	Indicator LED, yellow	Switching output indicator
Type of light	LED, red, 632 nm	Sensitivity adjustment	Via Teach-in button and control input
		Teach-in modes	Mode 1: during running process
			Mode 2: during stationary process
		Adjustment possibilities	N.O./N.C. via Teach-in button and control input
			Button lock via control input
		Default settings	Max. scanning distance and N.O.
Electrical data		Mechanical data	
Operating voltage +U _B	10 ... 30V DC ²	Dimensions	34 x 20 x 12 mm
No-load current I ₀	≤ 30 mA	Enclosure rating	IP 67 & IP 69K ³
Output current I _e	≤ 100 mA	Material, housing	ABS
Protective circuits	Reverse-polarity protection U _B / short-circuit protection (Q)	Material, front screen	PMMA
Protection Class	2	Type of connection	(see selection table)
Time to readiness	< 300 ms	Ambient temperature: operation	-20 ... +60 °C
Switching output Q	PNP / NPN (see selection table)	Ambient temperature: storage	-20 ... +80 °C
Output function	N.O. / N.C.	Weight (plug)	10 g
Switching frequency f (ti/tp 1:1)	≤ 1000 Hz	Weight (cable)	40 g
Response time	500 μs	Weight (pigtail)	20 g
Control input IN	+U _B = Teach-in / -U _B = Button locked Open = normal operation	Resistance to vibrations and impacts	EN 60947-5-2

¹ Reference material white, 90% reflectivity

² Max. 10% ripple, within U_B, ~ 50 Hz / 100 Hz

³ With connected IP 67 / IP 69K plug

Scanning distance	Switching output	Type of connection	Order designation	Part no.
0 ... 800 mm	PNP	Plug, M8x1, 4-pin	FT 25-R-PS-M4	607-21000
0 ... 800 mm	NPN	Plug, M8x1, 4-pin	FT 25-R-NS-M4	607-21002
0 ... 800 mm	PNP	Metal plug, M8x1, 4-pin	FT 25-R-PS-M4M	607-21006
0 ... 800 mm	NPN	Metal plug, M8x1, 4-pin	FT 25-R-NS-M4M	607-21007
0 ... 800 mm	PNP	Cable, 2 m, 4-wire	FT 25-R-PS-K4	607-21001
0 ... 800 mm	NPN	Cable, 2 m, 4-wire	FT 25-R-NS-K4	607-21003
0 ... 800 mm	PNP	Pigtail, 150 mm with plug M12x1, 4-pin	FT 25-R-PS-KL4	607-21004
0 ... 800 mm	NPN	Pigtail, 150 mm with plug M12x1, 4-pin	FT 25-R-NS-KL4	607-21005



Reference material	Detection range
white (90 %)	0 ... 800 mm
grey (18 %)	1 ... 450 mm
black (6 %)	3 ... 250 mm

FR 25-RL

Laser photoelectric reflex switch



PRODUCT HIGHLIGHTS

- Particularly suitable for close-range applications
- Suitable for numerous different reflectors
- Very small, easily visible laser light spot
- Sensitivity adjustment via Teach-in and control input
- Robust glass-fibre reinforced plastic housings

Optical data		Functions	
Limit scanning range	0.1 ... 15 m ¹	Indicator LED, green	Operating voltage indicator
Operating range	0.1 ... 13 m ¹	Indicator LED, yellow	Switching output indicator
Type of light	Laser, red, 650 nm	Sensitivity adjustment	Via Teach-in button and control input
Laser Class (DIN EN 60825-1:2008-5)	1	Teach-in modes	Mode 1: during running process Mode 2: during stationary process
Polarisation filter	Yes	Adjustment possibilities	N.O./N.C. via Teach-in button and control input Button lock via control input Max. range and N.O.
		Default settings	
Electrical data		Mechanical data	
Operating voltage +U _B	10 ... 30V DC ²	Dimensions	34 × 20 × 12 mm
No-load current I ₀	≤ 30 mA	Enclosure rating	IP 67 & IP 69K ³
Output current I _e	≤ 100 mA	Material, housing	ABS
Protective circuits	Reverse-polarity protection U _B / short-circuit protection (Q)	Material, front screen	PMMA
Protection Class	2	Type of connection	(see selection table)
Time to readiness	< 300 ms	Ambient temperature: operation	-20 ... +60 °C
Switching output Q	PNP / NPN (see selection table)	Ambient temperature: storage	-20 ... +80 °C
Output function	N.O. / N.C.	Weight (plug)	10 g
Switching frequency f (ti/tp 1:1)	≤ 2000 Hz	Weight (cable)	40 g
Response time	250 μs	Weight (pigtail)	20 g
Control input IN	+U _B = Teach-in / -U _B = Button locked Open = normal operation	Resistance to vibrations and impacts	EN 60947-5-2

¹ Reference material Reflector R5L ² Max. 10% ripple, within U_B, ~ 50 Hz / 100 Hz ³ With connected IP 67 / IP 69K plug

Operating range	Switching output	Type of connection	Order designation	Part no.
0.1 ... 13 m	PNP	Metal plug, M8x1, 3-pin	FR 25-RL-PS-M3M	609-31000
0.1 ... 13 m	PNP	Metal plug, M8x1, 4-pin	FR 25-RL-PS-M4M	609-31001
0.1 ... 13 m	NPN	Metal plug, M8x1, 4-pin	FR 25-RL-NS-M4M	609-31002
0.1 ... 13 m	PNP	Cable, 2 m, 4-wire	FR 25-RL-PS-K4	609-21004
0.1 ... 13 m	NPN	Cable, 2 m, 4-wire	FR 25-RL-NS-K4	609-21001
0.1 ... 13 m	PNP	Pigtail, 150 mm with plug M12x1, 4-pin	FR 25-RL-PS-KL4	609-21006
0.1 ... 13 m	NPN	Pigtail, 150 mm with plug M12x1, 4-pin	FR 25-RL-NS-KL4	609-21003

Plug	Cable
<p style="text-align: right;">15300937</p>	<p style="text-align: right;">15300936</p>

4-pin connection	3-pin connection
<p style="text-align: right;">15400508</p>	<p style="text-align: right;">15400509</p>

Functional reserve	Light spot size
<p>Reference material Reflector R5L</p> <p style="text-align: right;">15501390</p>	<p style="text-align: right;">15501391</p>

FR 25-R

Photoelectric reflex switch



PRODUCT HIGHLIGHTS

- Auto-detect photoelectric reflex switch with real PNP and real NPN function
- Suitable for numerous different reflectors
- Simple alignment thanks to easily visible light spot
- Robust glass-fibre reinforced plastic housings
- Durable laser printing
- High number of variants

Optical data		Functions	
Limit scanning range	0.1 ... 7 m ¹	Indicator LED, green	Operating voltage indicator
Operating range	0.1 ... 6 m ¹	Indicator LED, yellow	Switching output indicator
Type of light	LED, red, 632 nm	Sensitivity adjustment	Via Teach-in button and control input
Polarisation filter	Yes	Teach-in modes	Mode 1: during running process Mode 2: during stationary process
		Adjustment possibilities	N.O./N.C. via Teach-in button and control input Button lock via control input Auto-detect / NPN / PNP via Teach-in button and control input (only Auto-detect variants)
		Default settings	Max. range and N.O.
Electrical data		Mechanical data	
Operating voltage +U _B	10 ... 30V DC ²	Dimensions	34 x 20 x 12 mm
No-load current I ₀	≤ 30 mA	Enclosure rating	IP 67 & IP 69K ³
Output current I _e	≤ 100 mA	Material, housing	ABS
Protective circuits	Reverse-polarity protection U _B / short-circuit protection (Q)	Material, front screen	PMMA
Protection Class	2	Type of connection	(see selection table)
Time to readiness	< 300 ms	Ambient temperature: operation	-20 ... +60 °C
Switching output Q	PNP / NPN / Auto-detect (see selection table)	Ambient temperature: storage	-20 ... +80 °C
Output function	N.O. / N.C.	Weight (plug)	10 g
Switching frequency f (ti/tp 1:1)	≤ 1000 Hz	Weight (cable)	40 g
Response time	500 μs	Weight (pigtail)	20 g
Control input IN	+U _B = Teach-in / -U _B = Button locked Open = normal operation	Resistance to vibrations and impacts	EN 60947-5-2

¹ Reference material Reflector R10 ² Max. 10% ripple, within U_B, ~ 50 Hz / 100 Hz ³ With connected IP 67 / IP 69K plug

Operating range	Switching output	Type of connection	Order designation	Part no.
0.1 ... 6 m	PNP	Plug, M8x1, 4-pin	FR 25-R-PS-M4	606-11000
0.1 ... 6 m	NPN	Plug, M8x1, 4-pin	FR 25-R-NS-M4	606-11002
0.1 ... 6 m	PNP	Metal plug, M8x1, 3-pin	FR 25-R-PS-M3M	606-11006
0.1 ... 6 m	NPN	Metal plug, M8x1, 3-pin	FR 25-R-NS-M3M	606-11007
0.1 ... 6 m	PNP	Metal plug, M8x1, 4-pin	FR 25-R-PS-M4M	606-11008
0.1 ... 6 m	NPN	Metal plug, M8x1, 4-pin	FR 25-R-NS-M4M	606-11009
0.1 ... 6 m	PNP	Cable, 2 m, 4-wire	FR 25-R-PS-K4	606-11001
0.1 ... 6 m	NPN	Cable, 2 m, 4-wire	FR 25-R-NS-K4	606-11003

Betriebsreichweite	Switching output	Type of connection	Order designation	Part no.
0.1 ... 6 m	PNP	Pigtail, 150 mm with plug M12x1, 4-pin	FR 25-R-PS-KL4	606-11004
0.1 ... 6 m	NPN	Pigtail, 150 mm with plug M12x1, 4-pin	FR 25-R-NS-KL4	606-11005
0.1 ... 6 m	Auto-Detect	Metal plug, M8x1, 4-pin	FR 25-R-PNS-M4M	606-11011

Plug	Cable
<p>15300835</p>	<p>15300834</p>

4-pin connection	3-pin connection	Auto-detect connection
<p>15400508</p>	<p>15400509</p>	<p>15400510</p>

Functional reserve	Light spot size
<p>15500978</p>	<p>15500981</p>

Reflector	Operating range
R10	0.1 ... 6 m
RD8	0.1 ... 4 m
R5	0.1 ... 4 m

FR 25-RF

Photoelectric reflex switch, fixed setting



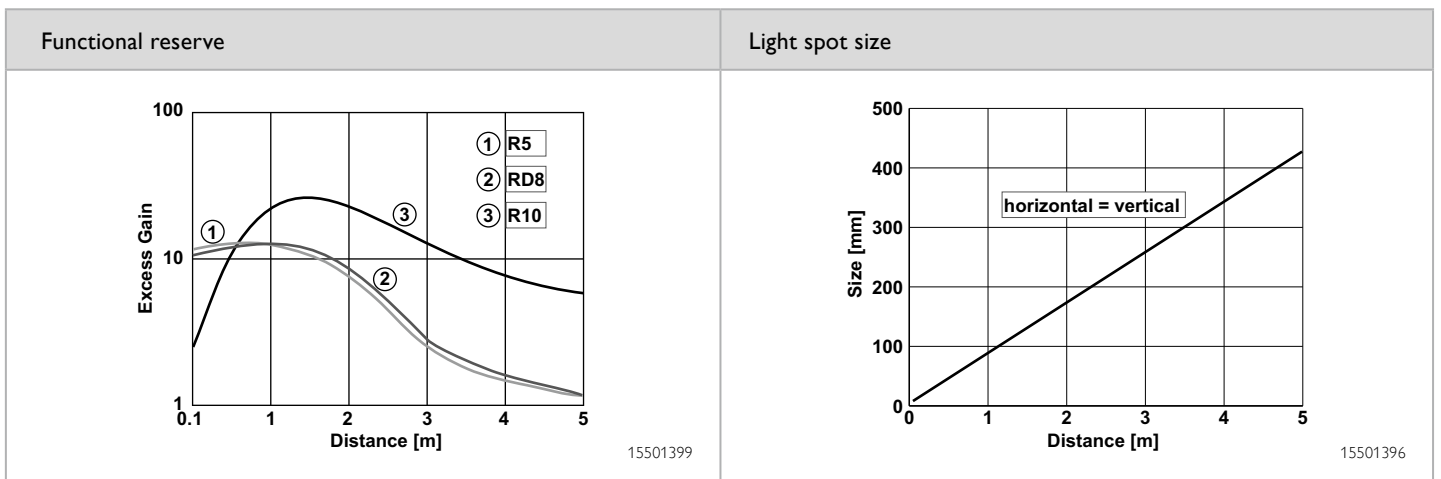
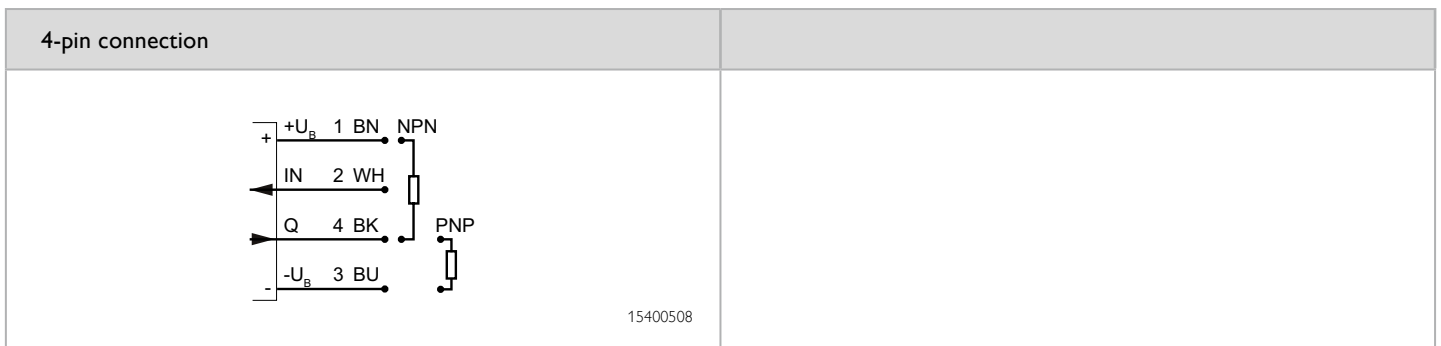
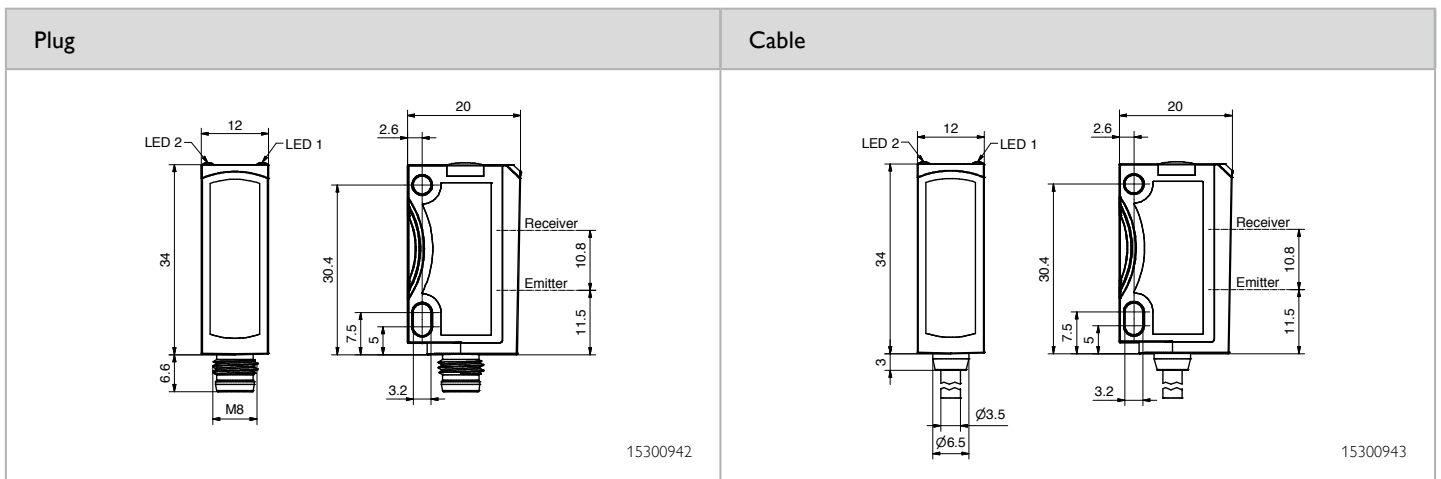
PRODUCT HIGHLIGHTS

- Economical solution for numerous applications
- Tamperproof sensor design – no spurious adjustment possible
- Suitable for numerous different reflectors
- Simple alignment through easily visible light spot
- Robust glass-fibre reinforced plastic housings

Optical data		Functions	
Limit scanning range	0.1 ... 5 m ¹	Indicator LED, green	Operating voltage indicator
Operating range	0.1 ... 3 m ¹	Indicator LED, yellow	Switching output indicator
Type of light	LED, red, 632 nm	Adjustment possibilities	N.O./N.C. via control input
Polarisation filter	Yes	Default settings	N.O.
Electrical data		Mechanical data	
Operating voltage +U _B	10 ... 30V DC ²	Dimensions	34 × 20 × 12 mm
No-load current I ₀	≤ 30 mA	Enclosure rating	IP 67 & IP 69K ³
Output current I _e	≤ 100 mA	Material, housing	ABS
Protective circuits	Reverse-polarity protection U _B / short-circuit protection (Q)	Material, front screen	PMMA
Protection Class	2	Type of connection	(see selection table)
Time to readiness	< 300 ms	Ambient temperature: operation	-20 ... +60 °C
Switching output Q	PNP / NPN (see selection table)	Ambient temperature: storage	-20 ... +80 °C
Output function	N.O. / N.C.	Weight (plug)	10 g
Switching frequency f (ti/tp 1:1)	≤ 1000 Hz	Weight (cable)	40 g
Response time	500 μs	Weight (pigtail)	20 g
Control input IN	+U _B = N.C. -U _B / open = N.O.	Resistance to vibrations and impacts	EN 60947-5-2

¹ Reference material Reflector R10 ² Max. 10% ripple, within U_B, ~ 50 Hz / 100 Hz ³ With connected IP 67 / IP 69K plug

Operating range	Switching output	Type of connection	Order designation	Part no.
0.1 ... 3 m	PNP	Plug, M8x1, 4-pin	FR 25-RF-PS-M4	606-11012
0.1 ... 3 m	NPN	Plug, M8x1, 4-pin	FR 25-RF-NS-M4	606-11013
0.1 ... 3 m	PNP	Cable, 2 m, 4-wire	FR 25-RF-PS-K4	606-11014
0.1 ... 3 m	NPN	Cable, 2 m, 4-wire	FR 25-RF-NS-K4	606-11015



Reflector	Operating range
R10 (904-51637)	0.1 ... 3 m
RD8 (904-51531)	0.1 ... 3 m
R5 (904-51533)	0.1 ... 3 m

FS/FE 25-RL

Laser through-beam photoelectric switch



PRODUCT HIGHLIGHTS

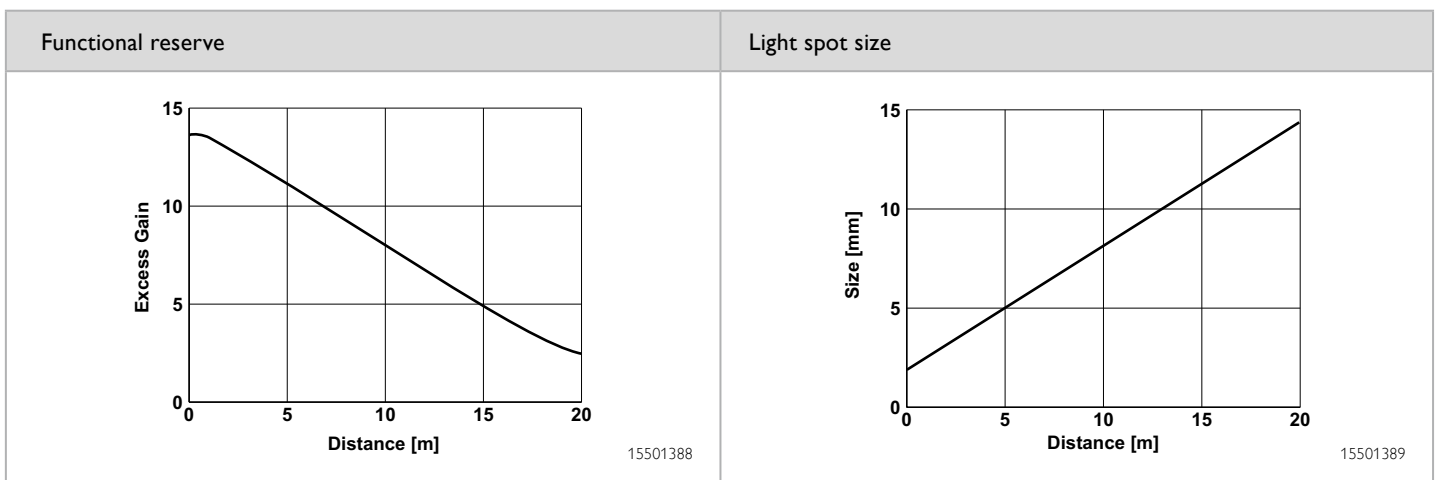
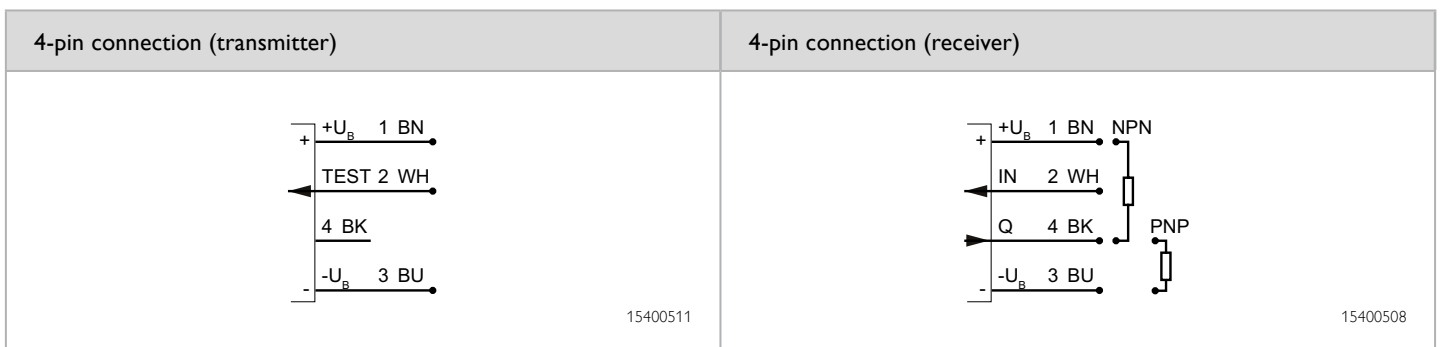
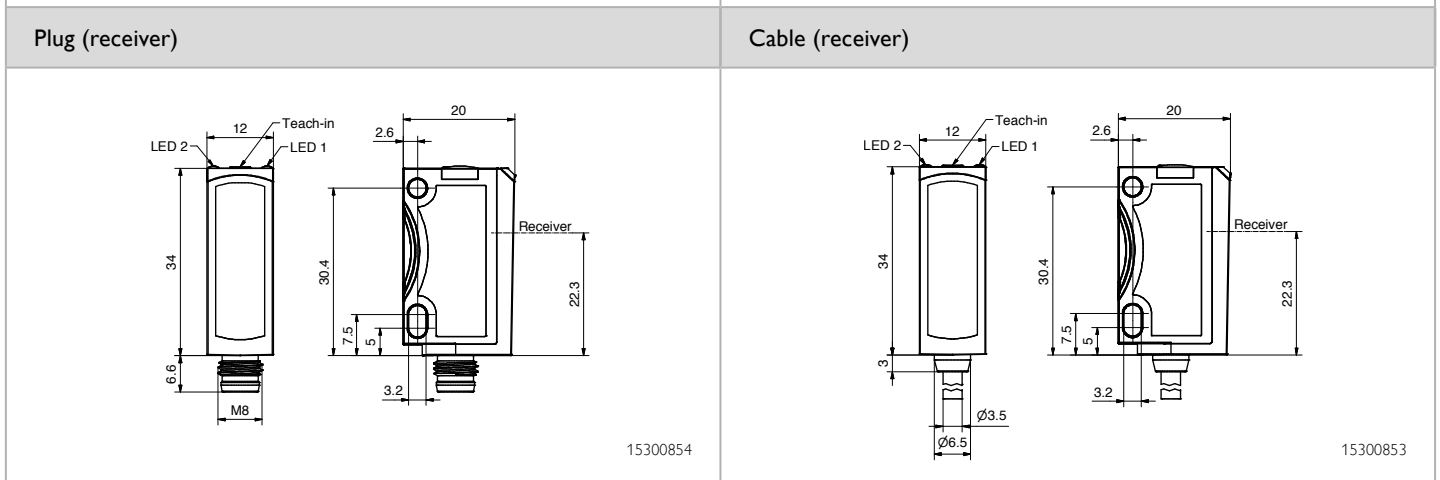
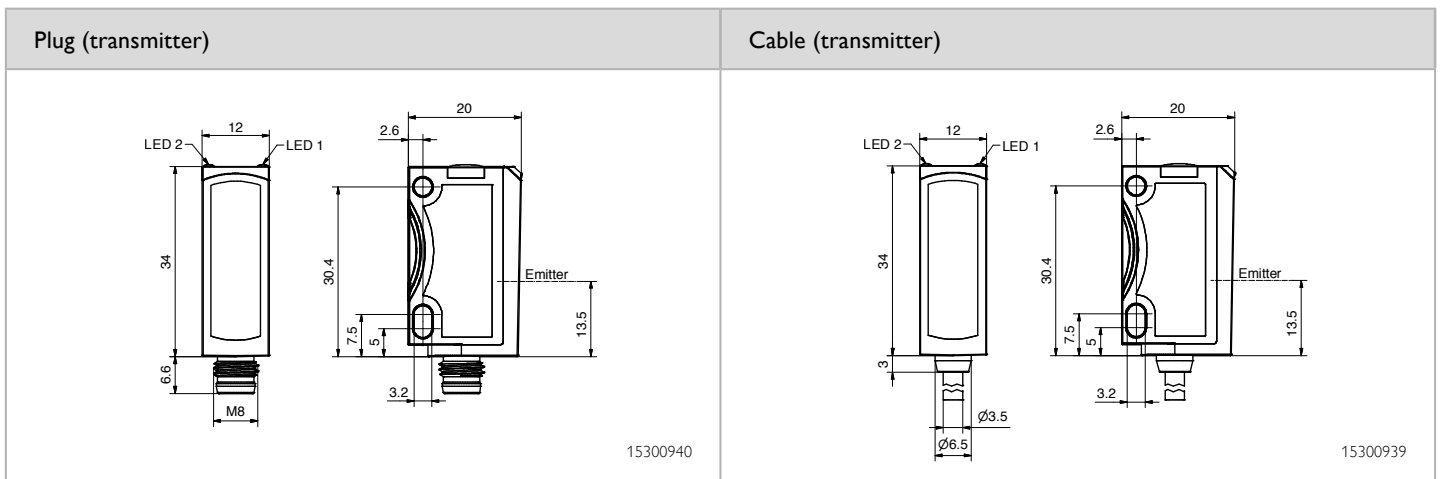
- Long range despite small, compact housing
- Test input to check function of sensor pair
- Very small, easily visible laser light spot
- Sensitivity adjustment via Teach-in and control input
- Robust glass-fibre reinforced plastic housings

Optical data		Functions	
Limit scanning range	0 ... 20 m	Indicator LED, green	Operating voltage indicator
Operating range	0 ... 18 m	Indicator LED, yellow	Switching output indicator
Type of light	Laser, red, 650 nm	Sensitivity adjustment (receiver)	Via Teach-in button and control input
Laser Class (DIN EN 60825-1:2008-5)	1	Teach-in modes	Mode 1: during running process Mode 2: during stationary process
		Adjustment possibilities (receiver)	N.O./N.C. via Teach-in button and control input Button lock via control input
		Default settings	Max. range and N.O.
Electrical data		Mechanical data	
Operating voltage +U _B	10 ... 30V DC ¹	Dimensions	34 × 20 × 12 mm
No-load current I ₀	≤ 30 mA	Enclosure rating	IP 67 & IP 69K ²
Output current I _e	≤ 100 mA	Material, housing	ABS
Protective circuits	Reverse-polarity protection U _B / short-circuit protection (Q)	Material, front screen	PMMA
Protection Class	2	Type of connection	(see selection table)
Time to readiness	< 300 ms	Ambient temperature: operation	-20 ... +60 °C
Switching output Q	PNP / NPN (see selection table)	Ambient temperature: storage	-20 ... +80 °C
Output function	N.O. / N.C.	Weight (plug)	10 g
Switching frequency f (ti/tp 1:1)	≤ 2000 Hz	Weight (cable)	40 g
Response time	250 μs	Weight (pigtail)	20 g
Control input IN (receiver)	+U _B = Teach-in / -U _B = Button locked Open = normal operation	Resistance to vibrations and impacts	EN 60947-5-2
Control input Test (transmitter)	+U _B = Test (transmitter off) -U _B / offen = normal operation		

¹ Max. 10% ripple, within U_B, ~ 50 Hz / 100 Hz

² With connected IP 67 / IP 69K plug

Operating range	Switching output	Type of connection	Order designation	Part no.
0 ... 18 m	PNP	Metal plug, M8x1, 4-pin	FE 25-RL-PS-M4M	605-21014
0 ... 18 m	NPN	Metal plug, M8x1, 4-pin	FE 25-RL-NS-M4M	605-21015
0 ... 18 m	-	Metal plug, M8x1, 4-pin	FS 25-RL-M4M	605-11007
0 ... 18 m	PNP	Cable, 2 m, 4-wire	FE 25-RL-PS-K4	605-21004
0 ... 18 m	NPN	Cable, 2 m, 4-wire	FE 25-RL-NS-K4	605-21007
0 ... 18 m	-	Cable, 2 m, 4-wire	FS 25-RL-K4	605-11002



FS/FE 25-R

Through-beam photoelectric switch



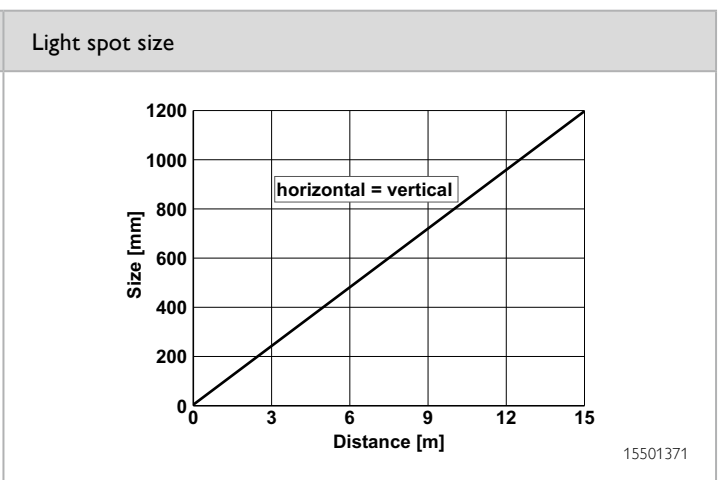
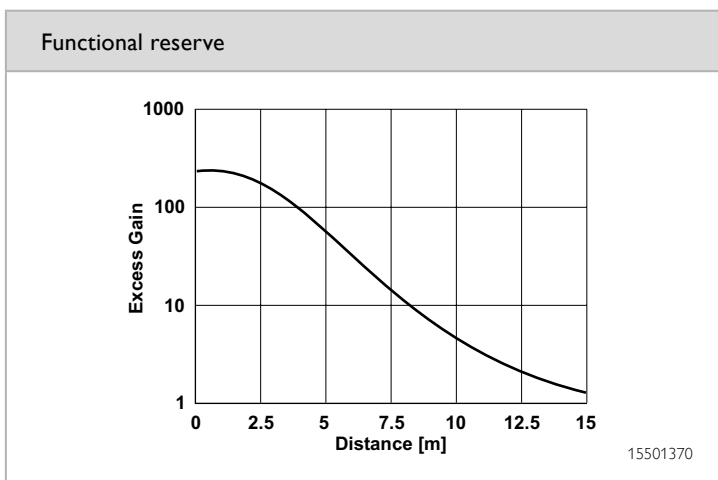
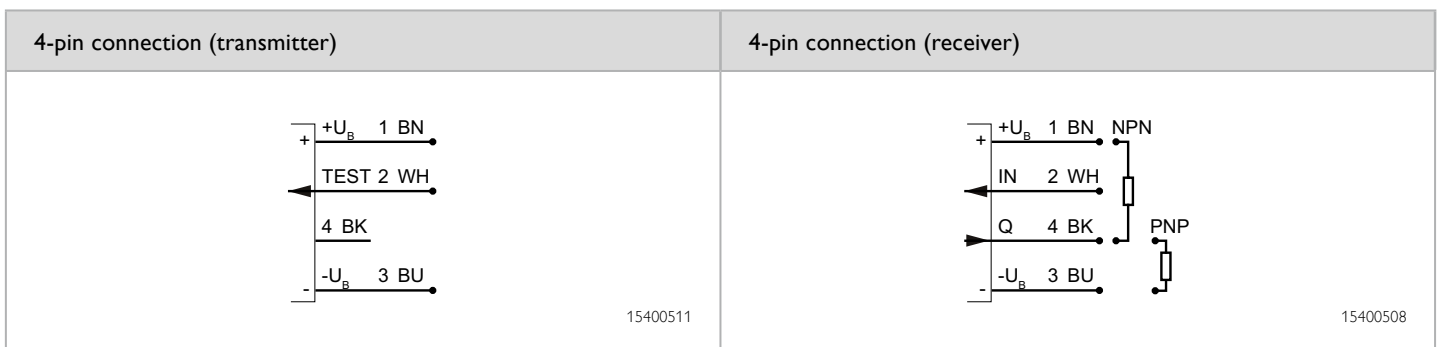
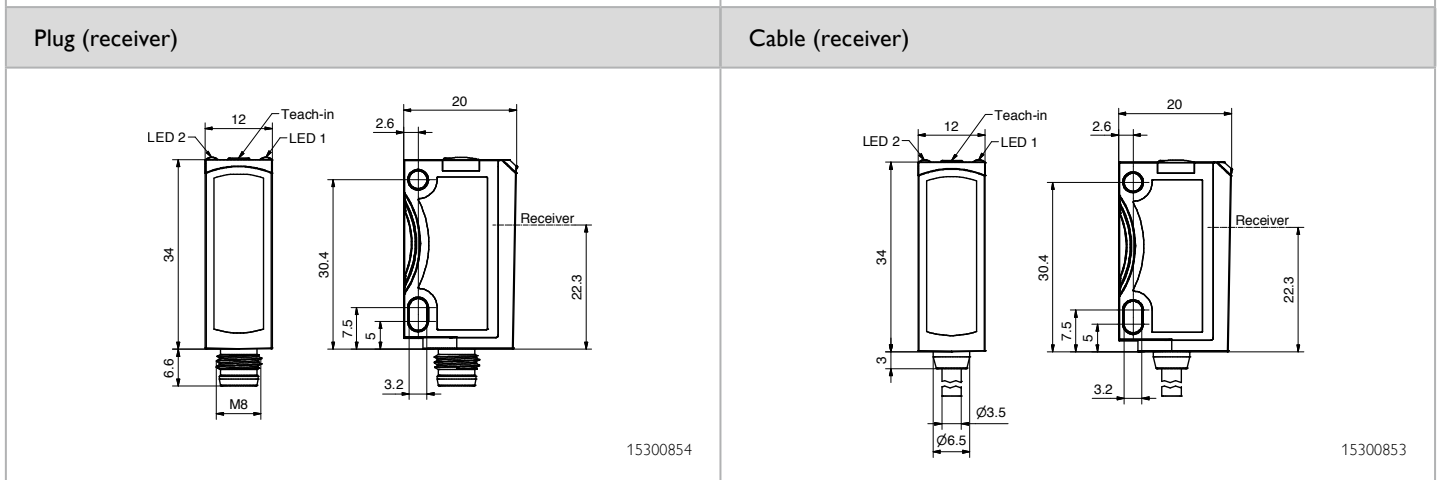
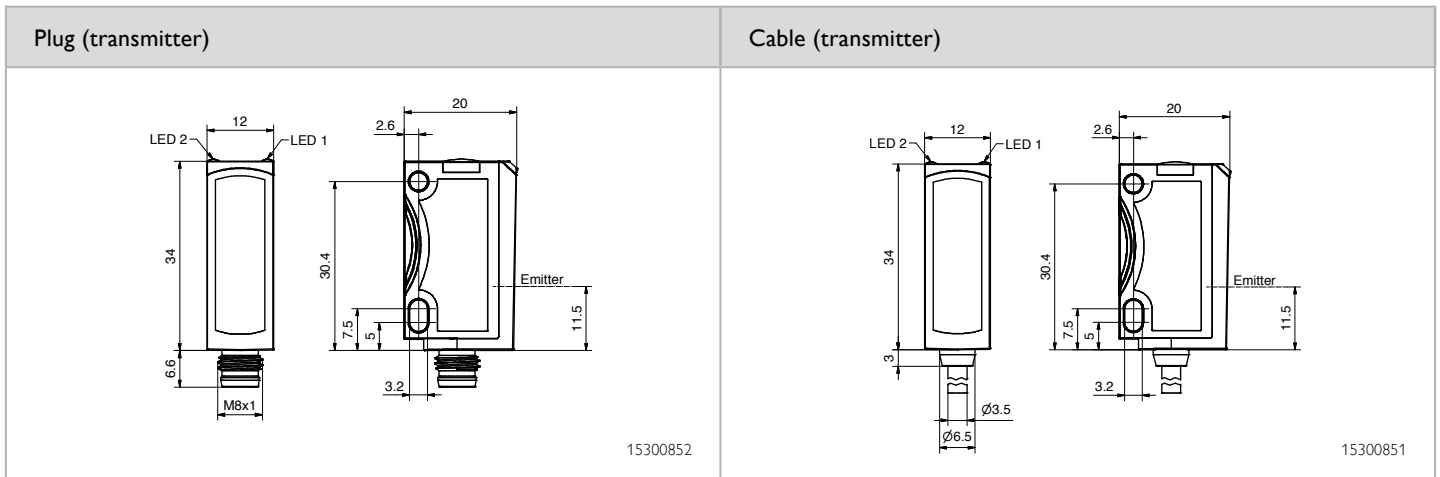
PRODUCT HIGHLIGHTS

- Test input to check function of sensor pair
- Sensitivity adjustment via Teach-in and control input
- Simple alignment through easily visible light spot
- Robust glass-fibre reinforced plastic housings
- Durable laser printing

Optical data		Functions	
Limit scanning range	0 ... 15 m	Indicator LED, green	Operating voltage indicator
Operating range	0 ... 13 m	Indicator LED, yellow	Switching output indicator
Type of light	LED, red, 632 nm	Sensitivity adjustment (receiver)	Via Teach-in button and control input
		Teach-in modes	Mode 1: during running process Mode 2: during stationary process
		Adjustment possibilities (receiver)	N.O./N.C. via Teach-in button and control input Button lock via control input
		Default settings	Max. range and N.O.
Electrical data		Mechanical data	
Operating voltage +U _B	10 ... 30V DC ¹	Dimensions	34 × 20 × 12 mm
No-load current I ₀	≤ 30 mA	Enclosure rating	IP 67 & IP 69K ²
Output current I _e	≤ 100 mA	Material, housing	ABS
Protective circuits	Reverse-polarity protection U _B / short-circuit protection (Q)	Material, front screen	PMMA
Protection Class	2	Type of connection	(see selection table)
Time to readiness	< 300 ms	Ambient temperature: operation	-20 ... +60 °C
Switching output Q	PNP / NPN (see selection table)	Ambient temperature: storage	-20 ... +80 °C
Output function	N.O. / N.C.	Weight (plug)	10 g
Switching frequency f (ti/tp 1:1)	≤ 1000 Hz	Weight (cable)	40 g
Response time	500 μs	Weight (pigtail)	20 g
Control input IN (receiver)	+U _B = Teach-in / -U _B = Button locked Open = normal operation	Resistance to vibrations and impacts	EN 60947-5-2
Control input Test (transmitter)	+U _B = Test (transmitter off) -U _B / offen = normal operation		

¹ Max. 10% ripple, within U_B, ~ 50 Hz / 100 Hz ²With connected IP 67 / IP 69K plug

Operating range	Switching output	Type of connection	Order designation	Part no.
0 ... 13 m	PNP	Metal plug, M8x1, 4-pin	FE 25-R-PS-M4M	605-21012
0 ... 13 m	NPN	Metal plug, M8x1, 4-pin	FE 25-R-NS-M4M	605-21013
0 ... 13 m	-	Metal plug, M8x1, 4-pin	FS 25-R-M4M	605-11006
0 ... 13 m	PNP	Cable, 2 m, 4-wire	FE 25-R-PS-K4	605-21001
0 ... 13 m	NPN	Cable, 2 m, 4-wire	FE 25-R-NS-K4	605-21003
0 ... 13 m	-	Cable, 2 m, 4-wire	FS 25-R-K4	605-11001



FS/FE 25-RF

Through-beam photoelectric switch, fixed setting



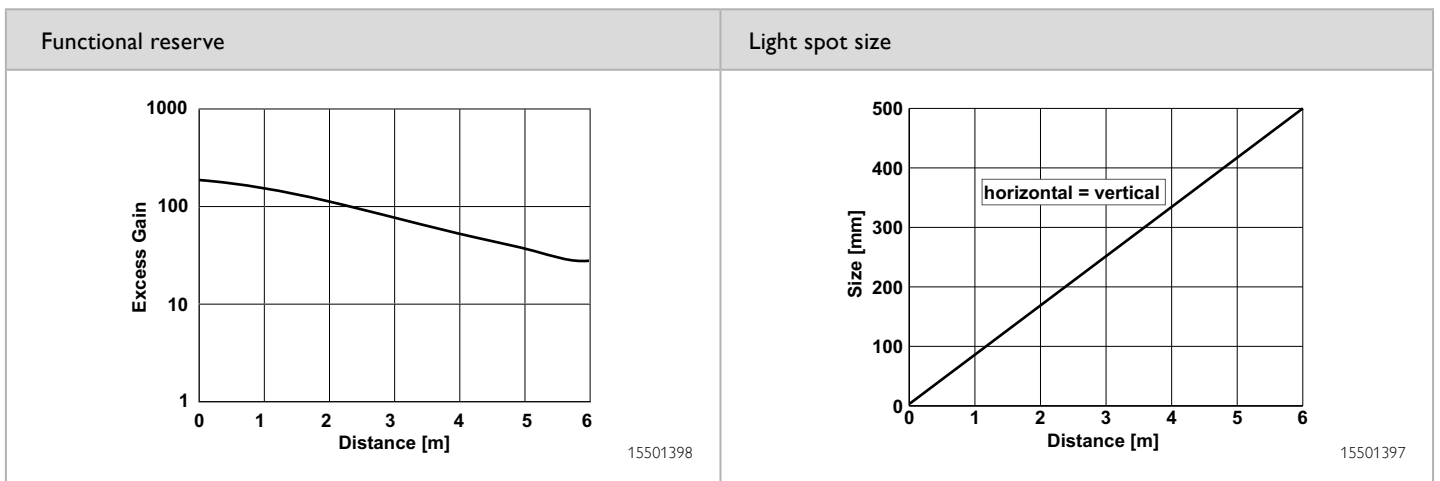
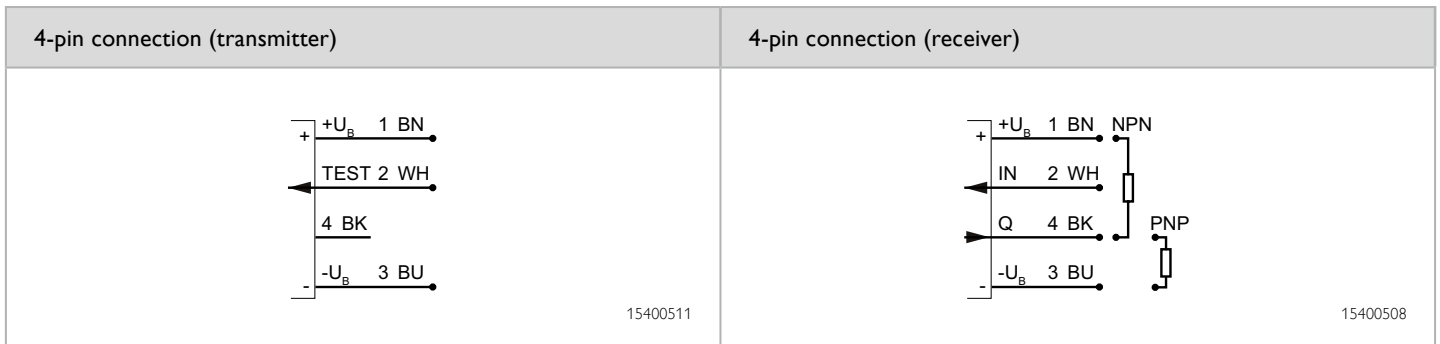
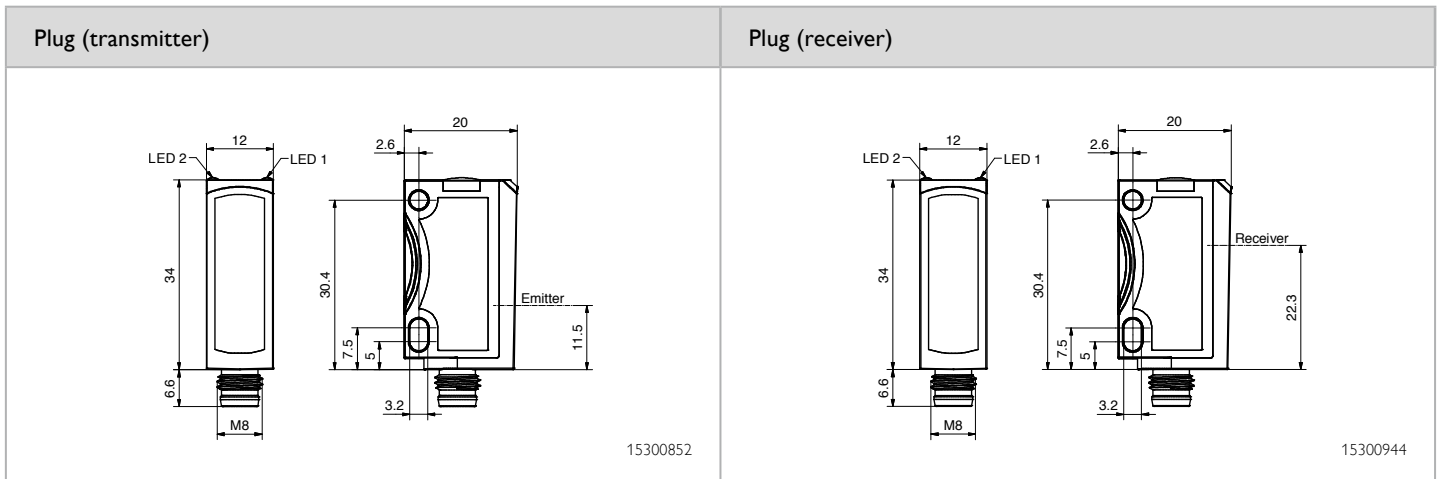
PRODUCT HIGHLIGHTS

- Economical solution for numerous applications
- Tamperproof sensor design – no spurious adjustment possible
- Simple alignment through easily visible light spot
- Robust glass-fibre reinforced plastic housings
- Durable laser printing

Optical data		Functions	
Limit scanning range	0 ... 6 m	Indicator LED, green	Operating voltage indicator
Operating range	0 ... 4 m	Indicator LED, yellow	Switching output indicator
Type of light	LED, red, 632 nm	Adjustment possibilities (receiver)	N.O./N.C. via control input
		Default settings	N.O.
Electrical data		Mechanical data	
Operating voltage $+U_B$	10 ... 30V DC ¹	Dimensions	34 x 20 x 12 mm
No-load current I_o	≤ 30 mA	Enclosure rating	IP 67 / IP 69K ²
Output current I_e	≤ 100 mA	Material, housing	ABS
Protective circuits	Reverse-polarity protection U_B / short-circuit protection (Q)	Material, front screen	PMMA
Protection Class	2	Type of connection	(see selection table)
Time to readiness	< 300 ms	Ambient temperature: operation	-20 ... +60 °C
Switching output Q	PNP / NPN (see selection table)	Ambient temperature: storage	-20 ... +80 °C
Output function	N.O. / N.C.	Weight (plug)	10 g
Switching frequency f (ti/tp 1:1)	≤ 1000 Hz	Weight (cable)	40 g
Response time	500 μ s	Weight (pigtail)	20 g
Control input IN (receiver)	$+U_B$ = N.C. $-U_B$ / open = N.O.	Resistance to vibrations and impacts	EN 60947-5-2
Control input Test (transmitter)	$+U_B$ = Test (transmitter off) $-U_B$ / offen = normal operation		


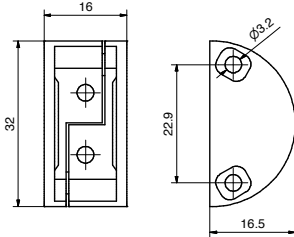
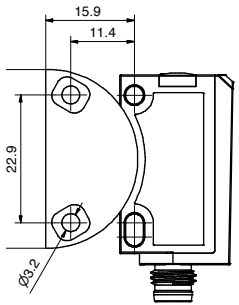
¹ Max. 10% ripple, within U_B , ~ 50 Hz / 100 Hz ² With connected IP 67 / IP 69K plug

Operating range	Switching output	Type of connection	Order designation	Part no.
0 ... 4 m	PNP	Plug, M8, 4-pin	FE 25-RF-PS-M4	605-21016
0 ... 4 m	NPN	Plug, M8, 4-pin	FE 25-RF-NS-M4	605-21017
0 ... 4 m	–	Plug, M8, 4-pin	FS 25-RF-M4	605-11008


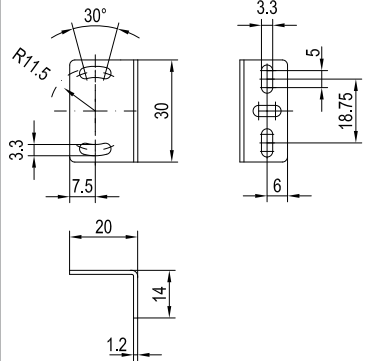
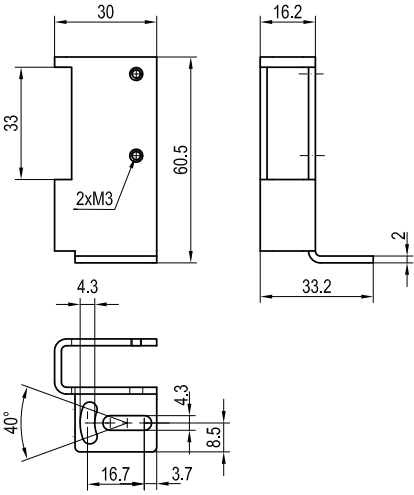
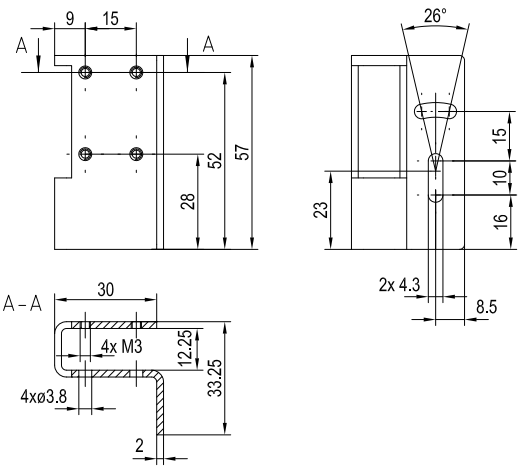


Accessories

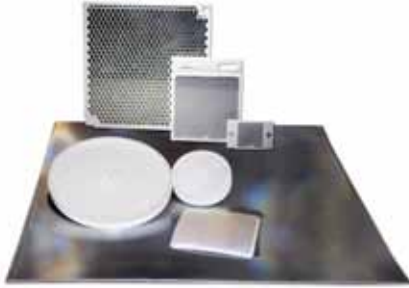
F 25 Dovetail

	Part no.	Order designation	Description
	661-01000	MBD F25	Bracket for dovetail (aluminium, anodised) with screws
		15300945	
			15300946

Fixing brackets

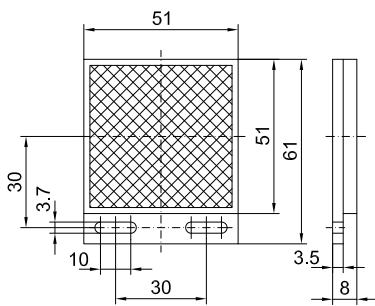
	Part no.	Order designation	Description	Fig.
	558-41000	MS F20	Mounting set (bracket with screws)	1
	558-41004	MSP F20-1	Fixing bracket (sensor protection with screws, very robust)	2
	558-41005	MSP F20-2	Fixing bracket (sensor protection with screws, very robust)	3
<p>1</p> 	<p>2</p> 	<p>3</p> 		
15300241	15300296	15300297		

Reflectors



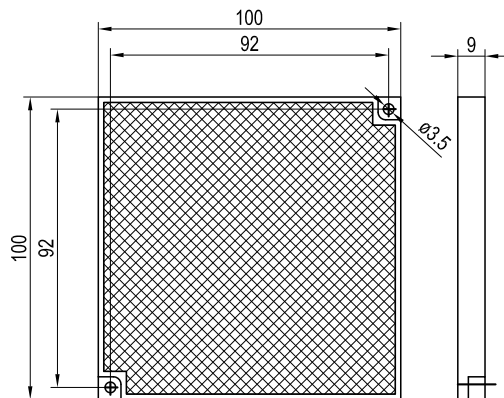
Part no.	Order designation	Description	Fig.
904-51533	R5	Reflector 51 x 61 mm, 2 mounting holes	1
904-51637	R10	Reflector 100 x 100 mm, 2 mounting holes	2
904-51535	RD4	Reflector \varnothing 42 mm, threaded pin M5	3
904-51531	RD8	Reflector \varnothing 83 mm, 1 mounting hole	4
904-51543	R5/L	Reflector 51 x 61 mm, for laser photoelectric switches, 2 mounting holes	5
904-51586	R2-2LB	Reflector 20 x 32 mm, for laser photoelectric switches, 2 mounting holes	6
904-51590	RF-50 KL	Reflective foil 51 x 51 x 1 mm, self-adhesive	-
904-51593	RF-230 KL	Reflective foil 230 x 230 mm, self-adhesive, cut-to-size	-

1



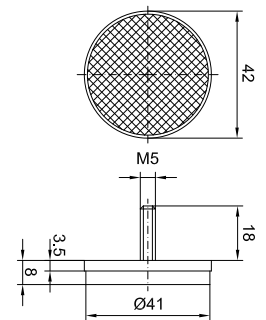
15300069

2



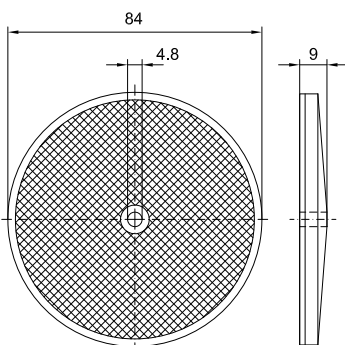
15300557

3



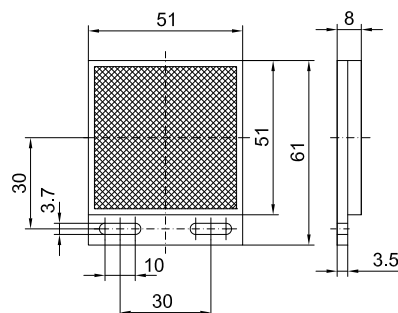
15300067

4



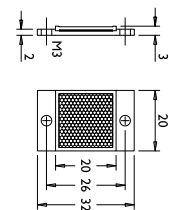
15300070

5







15300242

6



15300773

Accessories

Connection cables			
			
Connection cable, M8, straight	Connection cable, M8, 90°	Connection cable, M8, 90° with LED	Connection cable, M12, shielded
Part no.	Order designation	Description	
		M8, 3-pin	
902-50679	K3-2m-G-PUR	2 m, straight, PUR	
902-50681	K3-2m-W-PUR	2 m, 90°, PUR	
902-50683	K3-2m-W-PL-PUR	2 m, 90°, PUR, with indicator LED	
902-51614	K3-5m-G-PUR	5 m, straight, PUR	
902-51615	K3-5m-W-PUR	5 m, 90°, PUR	
902-51616	K3-5m-W-PL-PUR	5 m, 90°, PUR, with indicator LED	
		M8, 4-pin	
902-50801	K4-2m-G-PUR	2 m, straight, PUR	
902-50803	K4-2m-W-PUR	2 m, 90°, PUR	
902-51642	K4-2m-W-PL-PUR	2 m, 90°, PUR, with indicator LED	
902-51617	K4-5m-G-PUR	5 m, straight, PUR	
902-51618	K4-5m-W-PUR	5 m, 90°, PUR	
902-51643	K4-5m-W-PL-PUR	5 m, 90°, PUR, with indicator LED	
		M12, 4-pin	
902-50805	L4-2m-G-PUR	2 m, straight, PUR	
902-50807	L4-2m-W-PUR	2 m, 90°, PUR	
902-50808	L4-2m-W-PL-PUR	2 m, 90°, PUR, with indicator LED	
902-51632	L4S-2m-G-PVC	2 m, straight, PVC, shielded	
902-51633	L4S-2m-W-PVC	2 m, 90°, PVC, shielded	
902-51612	L4-5m-G-PUR	5 m, straight, PUR	
902-51602	L4-5m-W-PUR	5 m, 90°, PUR	
902-51603	L4-5m-W-PL-PUR	5 m, 90°, PUR, with indicator LED	
902-51634	L4S-5m-G-PVC	5 m, straight, PVC, shielded	
902-51635	L4S-5m-W-PVC	5 m, 90°, PVC, shielded	

An impressive trio.

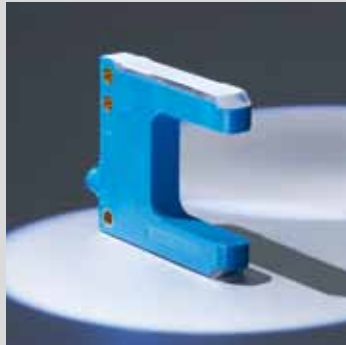
The F 10, F 25 and F 55 series from SensoPart.



We look ahead.

Yesterday, today and in the future.

 **SENSOPART**



Since SensoPart was founded in 1994, we have constantly focussed on the future. Our motto has always been: We gauge ourselves not by what is possible today, but by our ideas for what can be achieved in the future. Many ground-breaking ideas from that time have since become successful products, which are now indispensable in modern automation technology – endorsed by the numerous prizes for innovation which we have received over recent years. Today, SensoPart is the technological leader in many areas of industrial sensor technology. And we still have many ideas for the future.

SENSOR TECHNOLOGY

- Light barriers
- Proximity switches
- Laser sensors
- Miniature sensors
- Distance sensors
- Colour sensors
- Contrast sensors
- Anti-collision sensors
- Slot sensors
- Fibre-optic amplifiers
- Inductive sensors
- Capacitive sensors
- Ultrasonic sensors

VISION

- Vision sensors
- Smart cameras
- Object detection
- Object measurement
- Colour detection
- Code reading
- Lighting
- Lenses

Find the suitable product
for your application under
www.sensopart.com

Germany
SensoPart
Industriesensorik GmbH
Nägelseestraße 16
D-79288 Gottenheim
Tel. +49 7665 94769-0
Fax +49 7665 94769-765
www.sensopart.de

France
SensoPart France SARL
11, rue Albert Einstein
Espace Mercure
F-77420 Champs – Marne la Vallée
Tél. +33 164 73 00 61
Fax +33 164 73 10 87
www.sensopart.fr

Great Britain
SensoPart UK Limited
Unit 12 – 14, Studio 1
Waterside Court, Third Avenue,
Centrum 100, Burton on Trent
DE14 2WQ
Tel. +44 1283 567470
Fax +44 1283 740549
www.sensopart.com

USA
SensoPart Inc.
28400 Cedar Park Blvd
Perrysburg OH 43551,
USA
Tel. +1 866 282-7610
Fax +1 419 897-7991
www.sensopart.com