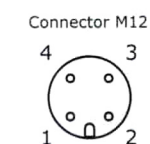
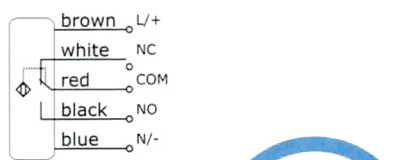
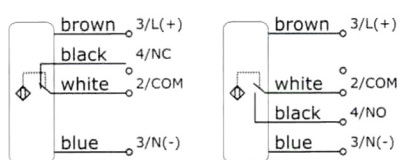
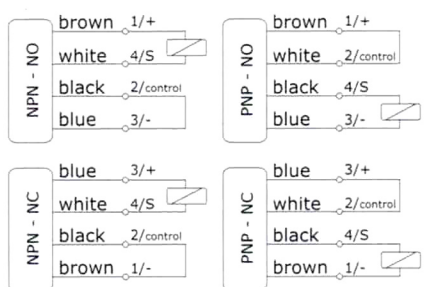


Output Schematics

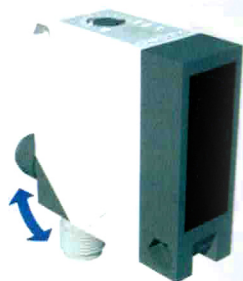


Not to be used for Safety Applications

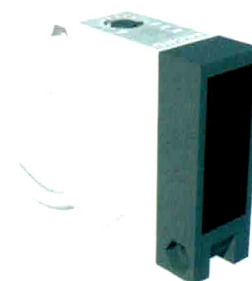
50x50



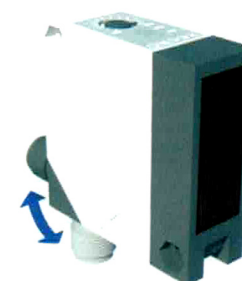
50x50



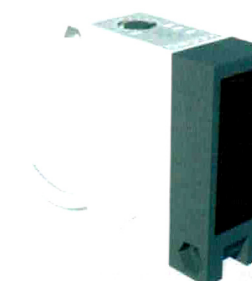
50x50



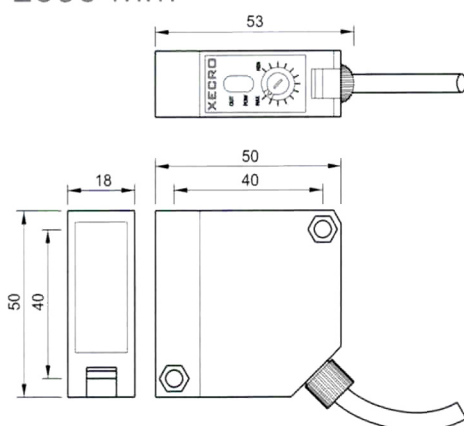
50x50



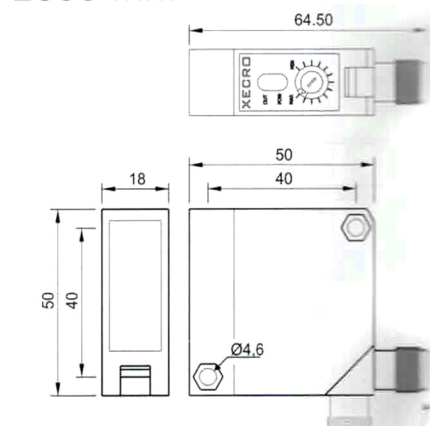
50x50



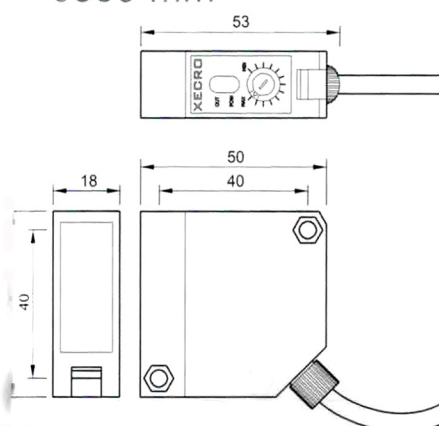
2000 mm



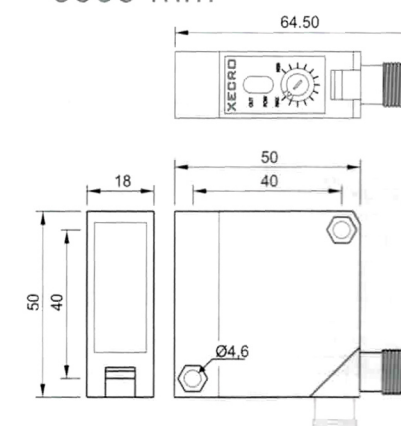
2000 mm



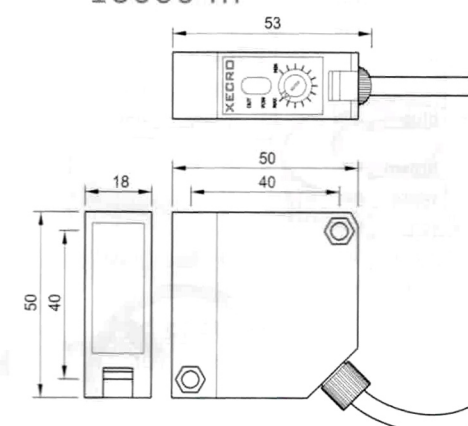
6000 mm



6000 mm



10000 m



SPECIFICATIONS

Operating Distance
Output Function
Operating Voltage
Reverse Polarity Protection
Current Consumption
Current Load Capability
Short Circuit Protection
Voltage Drop
Switching Frequency
Response Time
Hysteresis
Operating Temperature
Ambient Light Immunity
Protection Class
Housing Material
Connection
Output Indicator

Article Code

PNP, NPN, NO, NC programmable
Relay SPST, NO
Relay SPST, NC
Relay SPDT, NO + NC
Transmitter

Mouting Bracket

Recommended Connecting Cable

Diffuse Reflective

300... 2000 mm
PNP, NPN, NO, NC
10... 30 VDC
built-in
< 37 mA
200 mA
built-in - self resetting
< 2 V @ 200 mA
500 Hz
< 1 ms
~10%
-25... 55 °C
10.000 lux
IP65
ABS, Lens PMMA
PVC, 5-pole, 2m
Integrated

OD50-D2PNCO/A2P

included

-

Diffuse Reflective

300... 2000 mm
PNP, NPN, NO, NC
10... 30 VDC
built-in
< 37 mA
200 mA
built-in - self resetting
< 2 V @ 200 mA
500 Hz
< 1 ms
~10%
-25... 55 °C
10.000 lux
IP65
ABS, Lens PMMA
Connector M12, 4-pole
Integrated

OD50-D2PNCO/M12

included

M12/4...

Polarized Reflective

6000 mm
PNP, NPN, NO, NC
10... 30 VDC
built-in
< 37 mA
200 mA
built-in - self resetting
< 2 V @ 200 mA
500 Hz
< 1 ms
~10%
-25... 55 °C
10.000 lux
IP65
ABS, Lens PMMA
PVC, 5-pole, 2m
Integrated

OD50-P6PNCO/A2P

included

-

Polarized Reflective

6000 mm
PNP, NPN, NO, NC
10... 30 VDC
built-in
< 37 mA
200 mA
built-in - self resetting
< 2 V @ 200 mA
500 Hz
< 1 ms
~10%
-25... 55 °C
10.000 lux
IP65
ABS, Lens PMMA
Connector M12, 4-pole
Integrated

OD50-P6PNCO/M12

included

M12/4...

Retro Reflective

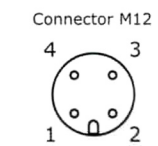
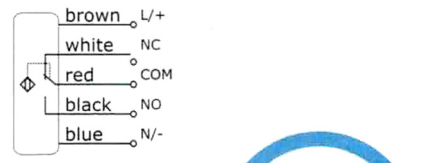
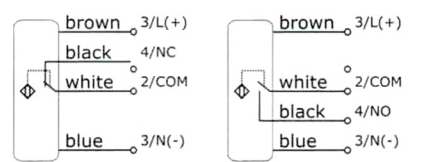
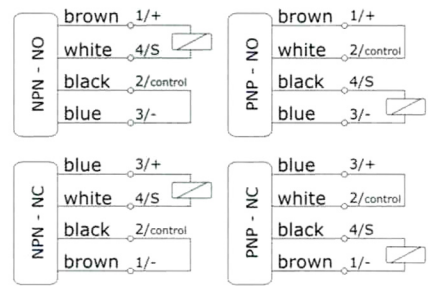
10000 m
PNP, NPN, NO, NC
10... 30 VDC
built-in
< 37 mA
200 mA
built-in - self resetting
< 2 V @ 200 mA
500 Hz
< 1 ms
~10%
-25... 55 °C
10.000 lux
IP65
ABS, Lens PMMA
PVC, 5-pole, 2m
Integrated

OD50-N10PNCO/A2P

included

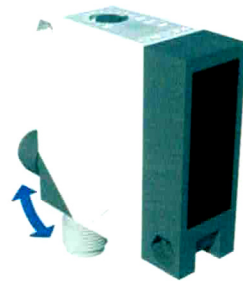
-

Output Schematics



Not to be used for Safety Applications

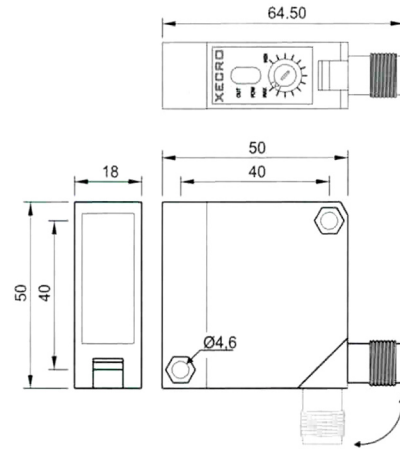
50x50



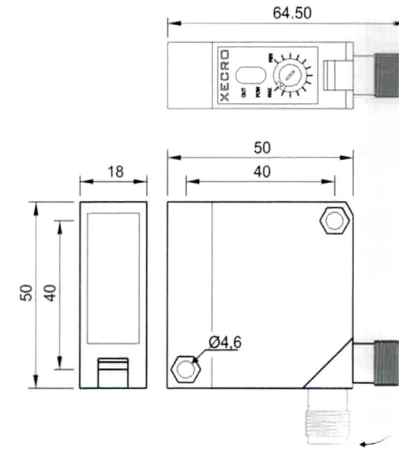
50x50



10000 m



18000 mm



MR82

MR80

MQ51

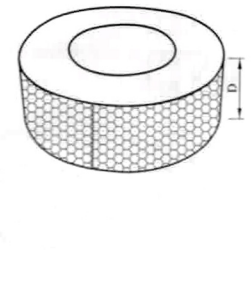
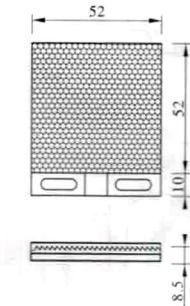
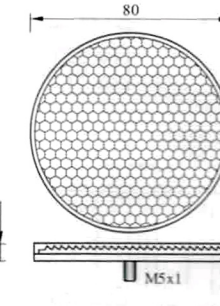
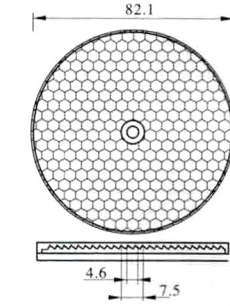
PTR

150,00%

100,00%

90,00%

70,00%



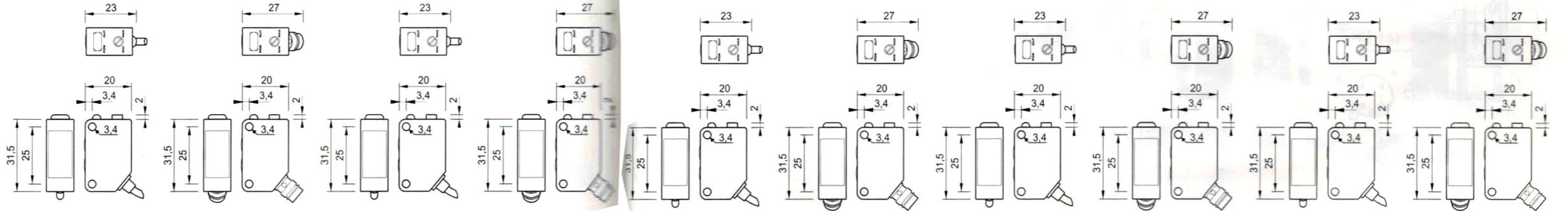
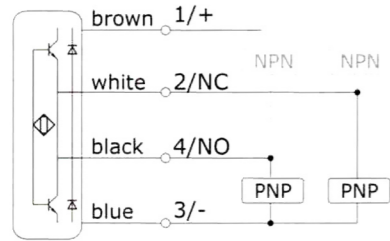
SPECIFICATIONS

	Retro Reflective	Through Beam
Operating Distance	10000 m	18000 mm
Output Function	PNP, NPN, NO, NC	PNP, NPN, NO, NC
Operating Voltage	10... 30 VDC	10... 30 VDC
Reverse Polarity Protection	built-in	built-in
Current Consumption	< 37 mA	< 37 mA
Current Load Capability	200 mA	200 mA
Short Circuit Protection	built-in - self resetting	built-in - self resetting
Voltage Drop	< 2 V @ 200 mA	< 2 V @ 200 mA
Switching Frequency	500 Hz	500 Hz
Response Time	< 1 ms	< 1 ms
Hysteresis	~10%	~10%
Operating Temperature	-25... 55 °C	-25... 55 °C
Ambient Light Immunity	10.000 lux	10.000 lux
Protection Class	IP65	IP65
Housing Material	ABS, Lens PMMA	ABS, Lens PMMA
Connection	Connector M12, 4-pole	PVC, 5-pole, 2m
Output Indicator	Integrated	Integrated
Article Code	OD50-N10PNCO/M12	OD50-R18PNCO/A2P
Relay SPST, NO		OD50-N10AO/M12
Relay SPST, NC		OD50-N10AC/M12
Relay SPDT, NO + NC		OD50-R18ACO/M12
Transmitter		OD50-T18D/M12
Mouting Bracket	included	included
Recommended Connecting Cable	M12/4...	M12/4...

Specifications

	High Performance	Standard Round	Standard Cubic	Performance Tape
Distance with Reference to Product Codes	150,00%	100,00%	90,00%	70,00%
Mounting	Thru Hole	M5x1	Thru Hole	Self-Adhesive
One Reel				45.7 m 150 ft
Cut Tape				4.57 m 15 ft
Cover Material	PMMA	PMMA	PMMA	PMMA
Back Cover Material	PMMA	PMMA	PMMA	PMMA
Reflector	MR82	MR80	MQ51	
Complete Reel, 25 mm wide				PTR25-W
Cut Tape 25 mm wide				PTR25-W/50
Complete Reel, 50 mm wide				PTR50-W
Cut Tape 50 mm wide				PTR50-W/50
Complete Reel, 100 mm wide				PTR100-W
Cut Tape 100 mm wide				PTR100-W/50

Output Schematics



SPECIFICATIONS

	Diffuse Reflective	Diffuse Reflective	Polarized Reflective	Polarized Reflective	Retro Reflective	Retro Reflective	Translucent Objects	Translucent Objects	Through Beam	Through Beam
Operating Distance	10... 700 mm	10... 700 mm	100... 1800 mm	100... 1800 mm	150... 4000 mm	150... 4000 mm	600 mm	600 mm	9000 mm	9000 mm
Output Function	NO + NC	NO + NC	NO + NC	NO + NC	NO + NC	NO + NC	NO + NC	NO + NC	NO + NC	NO + NC
Operating Voltage	10... 30 VDC, 4-wire	10... 30 VDC, 4-wire	10... 30 VDC, 4-wire	10... 30 VDC, 4-wire	10... 30 VDC, 4-wire	10... 30 VDC, 4-wire	10... 30 VDC, 4-wire	10... 30 VDC, 4-wire	10... 30 VDC, 4-wire	10... 30 VDC, 4-wire
Reverse Polarity Protection	built-in	built-in	built-in	built-in	built-in	built-in	built-in	built-in	built-in	built-in
Current Consumption	< 37 mA	< 37 mA	< 37 mA	< 37 mA	< 37 mA	< 37 mA	< 37 mA	< 37 mA	< 37 mA	< 37 mA
Current Load Capability	100 mA, self-resetting	100 mA, self-resetting	100 mA, self-resetting	100 mA, self-resetting	100 mA, self-resetting	100 mA, self-resetting	100 mA, self-resetting	100 mA, self-resetting	100 mA, self-resetting	100 mA, self-resetting
Short Circuit Protection	built-in - self resetting	built-in - self resetting	built-in - self resetting	built-in - self resetting	built-in - self resetting	built-in - self resetting	built-in - self resetting	built-in - self resetting	built-in - self resetting	built-in - self resetting
Voltage Drop	< 2 V @ 100 mA	< 2 V @ 100 mA	< 2 V @ 100 mA	< 2 V @ 100 mA	< 2 V @ 100 mA	< 2 V @ 100 mA	< 2 V @ 100 mA	< 2 V @ 100 mA	< 2 V @ 100 mA	< 2 V @ 100 mA
Switching Frequency	500 Hz	500 Hz	500 Hz	500 Hz	500 Hz	500 Hz	500 Hz	500 Hz	500 Hz	500 Hz
Response Time	< 1 ms	< 1 ms	< 1 ms	< 1 ms	< 1 ms	< 1 ms	< 1 ms	< 1 ms	< 1 ms	< 1 ms
Hysteresis	~13%	~13%	~13%	~13%	~13%	~13%	~13%	~13%	~13%	~13%
Operating Temperature	-25... 55 °C	-25... 55 °C	-25... 55 °C	-25... 55 °C	-25... 55 °C	-25... 55 °C	-25... 55 °C	-25... 55 °C	-25... 55 °C	-25... 55 °C
Ambient Light Immunity	6.000 lux	6.000 lux	6.000 lux	6.000 lux	6.000 lux	6.000 lux	6.000 lux	6.000 lux	6.000 lux	6.000 lux
Protection Class	IP67	IP67	IP67	IP67	IP67	IP67	IP67	IP67	IP67	IP67
Housing Material	ABS, Lens PMMA	ABS, Lens PMMA	ABS, Lens PMMA	ABS, Lens PMMA	ABS, Lens PMMA	ABS, Lens PMMA	ABS, Lens PMMA	ABS, Lens PMMA	ABS, Lens PMMA	ABS, Lens PMMA
Connection	PVC, 4-pole	Connector M8, 4-pole	PVC, 4-pole	Connector M8, 4-pole	PVC, 4-pole	Connector M8, 4-pole	PVC, 4-pole	Connector M8, 4-pole	PVC, 4-pole	Connector M8, 4-pole
Output Indicator	Integrated	Integrated	Integrated	Integrated	Integrated	Integrated	Integrated	Integrated	Integrated	Integrated
Article Code										
PNP, NO + NC	OD31-D07PCO/A2P	OD31-D07PCO/M8	OD31-P2PCO/A2P	OD31-P2PCO/M8	OD31-N4PCO/A2P	OD31-N4PCO/M8	OD31-L06PCO/A2P	OD31-L06PCO/M8	OD31-R9PCO/A2P	OD31-R9PCO/M8
NPN, NO + NC	OD31-D07NCO/A2P	OD31-D07NCO/M8	OD31-P2PNO/A2P	OD31-P2PNO/M8	OD31-N4PNO/A2P	OD31-N4PNO/M8	OD31-L06PNO/A2P	OD31-L06PNO/M8	OD31-R9PNO/A2P	OD31-R9PNO/M8
Transmitter									OD31-T9D/A2P	OD31-T9D/M8
Mouting Bracket	included	included	included	included	included	included	included	included	included	included
Recommended Connecting Cable	-	M8/4...	-	M8/4...	-	M8/4...	-	M8/4...	-	M8/4...